

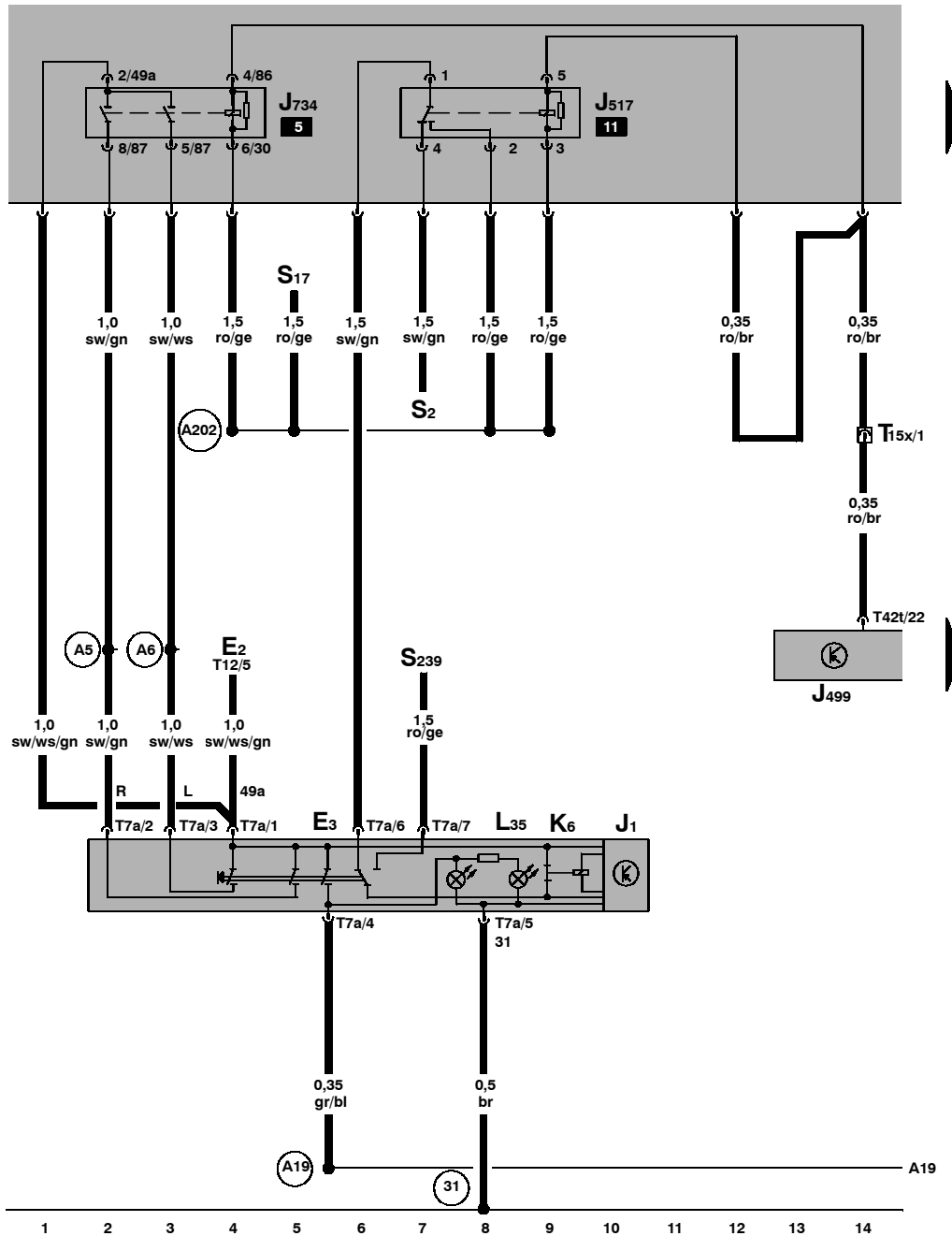
Telematics,

from May 2003

Note:

Information for

- ◆ *Relay and fuse arrangements*
 - ◆ *Connector arrangements*
 - ◆ *Control Modules and Relays*
 - ◆ *Ground connections*
- ⇒ *Component Locations!*



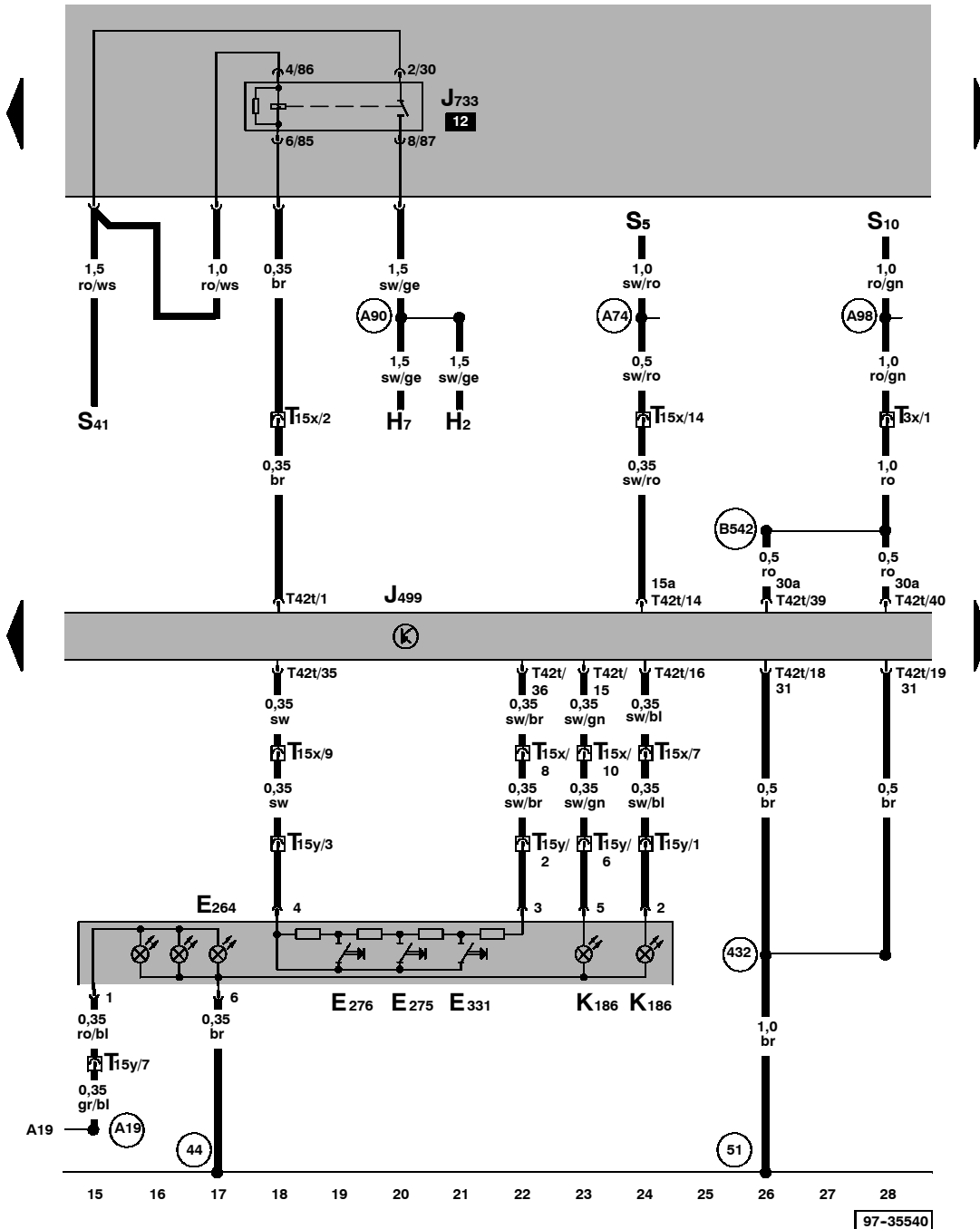
Telematics Control Module, warning lamp auxiliary relay, auxiliary emergency flasher relay, Turn signal switch and relay

- E2 - Turn signal switch
- E3 - Emergency Flasher Switch
- J1 - Turn Signal Relay
- J499 - Telematics Control Module
- J517 - Auxiliary Emergency Flasher Relay
- J734 - Warning Lamp Auxiliary Relay
- K6 - Indicator light for emergency flasher system
- L35 - Emergency Flasher Switch Light
- S2 - Fuse
- S17 - Fuse
- S239 - Fuse in fuse holder
- T7a - 7-Pin Connector, black
- T12 - 12-Pin Connector
- T15x - 15-Pin Connector, red
- T42t - 42-Pin Connector

- (31) - Ground connection, on instrument cluster
- (A5) - Plus connection (right turn signal), in instrument panel wiring harness
- (A6) - Plus connection (left turn signal), in instrument panel wiring harness
- (A19) - wire connection (58d), in instrument panel wiring harness
- (A202) - Telematic Connection 1 (in instrument panel wiring harness)

ws = white
 sw = black
 ro = red
 br = brown
 gn = green
 bl = blue
 gr = grey
 li = lilac
 ge = yellow
 or = orange

Telematics Control Module, Telematics Control Head, Roadside Assistance Button, Emergency Call Button, End Conversation Button (Telematics USA), Telematics Indicator Lamp



- E264 - Telematics Control Head
- E275 - Roadside Assistance Button
- E276 - Emergency Call Button
- E331 - End Conversation Button (Telematics USA)
- H2 - High Tone Horn
- H7 - Low Tone Horn
- J499 - Telematics Control Module
- J733 - Dual Horn Auxiliary Relay
- K186 - Telematics Indicator Lamp
- S5 - Fuse
- S10 - Fuse
- S41 - Individual fuse for heated rear glass
- T3x - 3-Pin Connector, red
- T15x - 15-Pin Connector, red
- T15y - 15-Pin Connector, green
- T42t - 42-Pin Connector

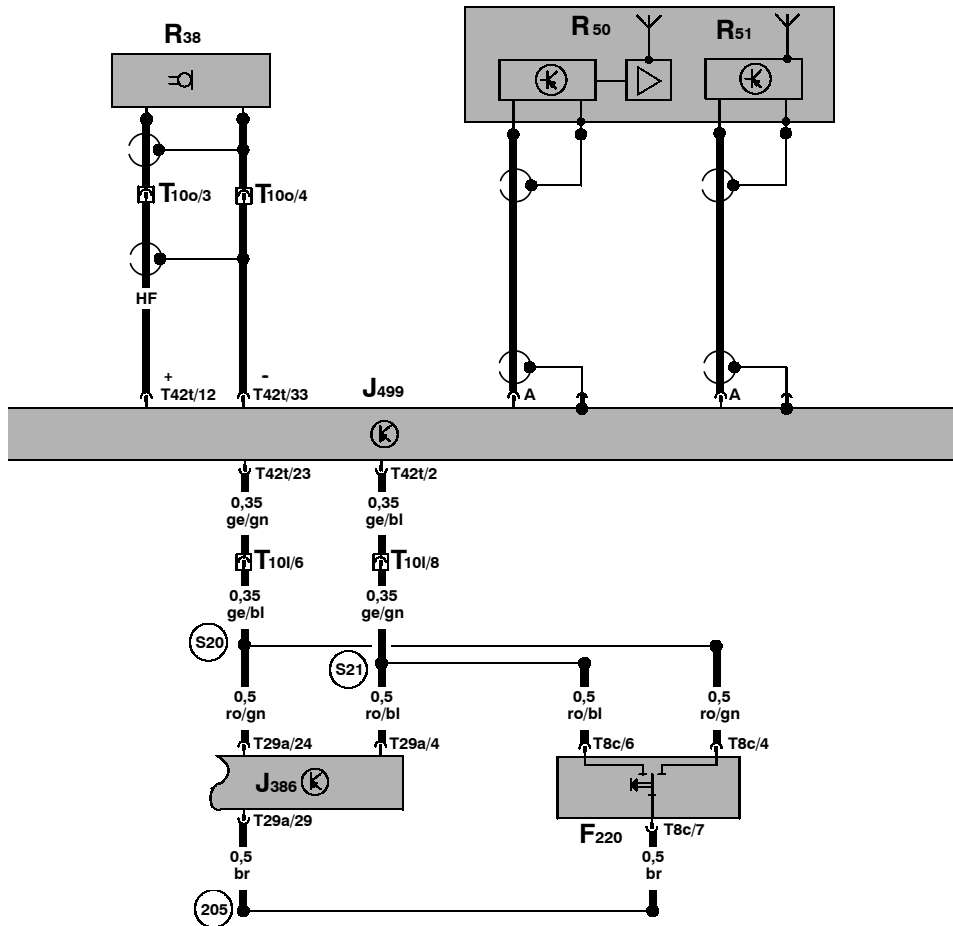
- (44) - Ground connection, on left A-pillar, lower part
- (51) - Ground connection, in luggage compartment, right
- (432) - Ground Connection (in telematic wiring harness)
- (A19) - wire connection (58d), in instrument panel wiring harness
- (A74) - Connector (15a - fuse 5) in instrument panel wiring harness
- (A90) - Connector (two-tone horn), in instrument panel wiring harness
- (A98) - Plus connector -4- (30), in instrument panel wiring harness
- (B542) - Plus Connection (in Telematic wiring harness)

ws = white
 sw = black
 ro = red
 br = brown
 gn = green
 bl = blue
 gr = grey
 li = lilac
 ge = yellow
 or = orange

Telematics Control Module, Antenna for Navigation System (GPS), Telephone Microphone

- F220 - Driver's Door Central Locking Lock Unit
- J386 - Door Control Module, driver side
- J499 - Telematics Control Module
- R38 - Telephone Microphone
- R50 - Antenna for Navigation System (GPS)
- R51 - Radio/Telephone Antenna
- T8c - 8-Pin Connector
- T10o - 10-Pin Connector
- T10l - 10-Pin Connector, black, connector station A-pillar, left
- T29a - 29-Pin Connector
- T42t - 42-Pin Connector

- (205) - Ground connection, in driver's door wiring harness
- (S20) - Connector -4- in wiring harness central locking
- (S21) - Connector -5- in wiring harness central locking



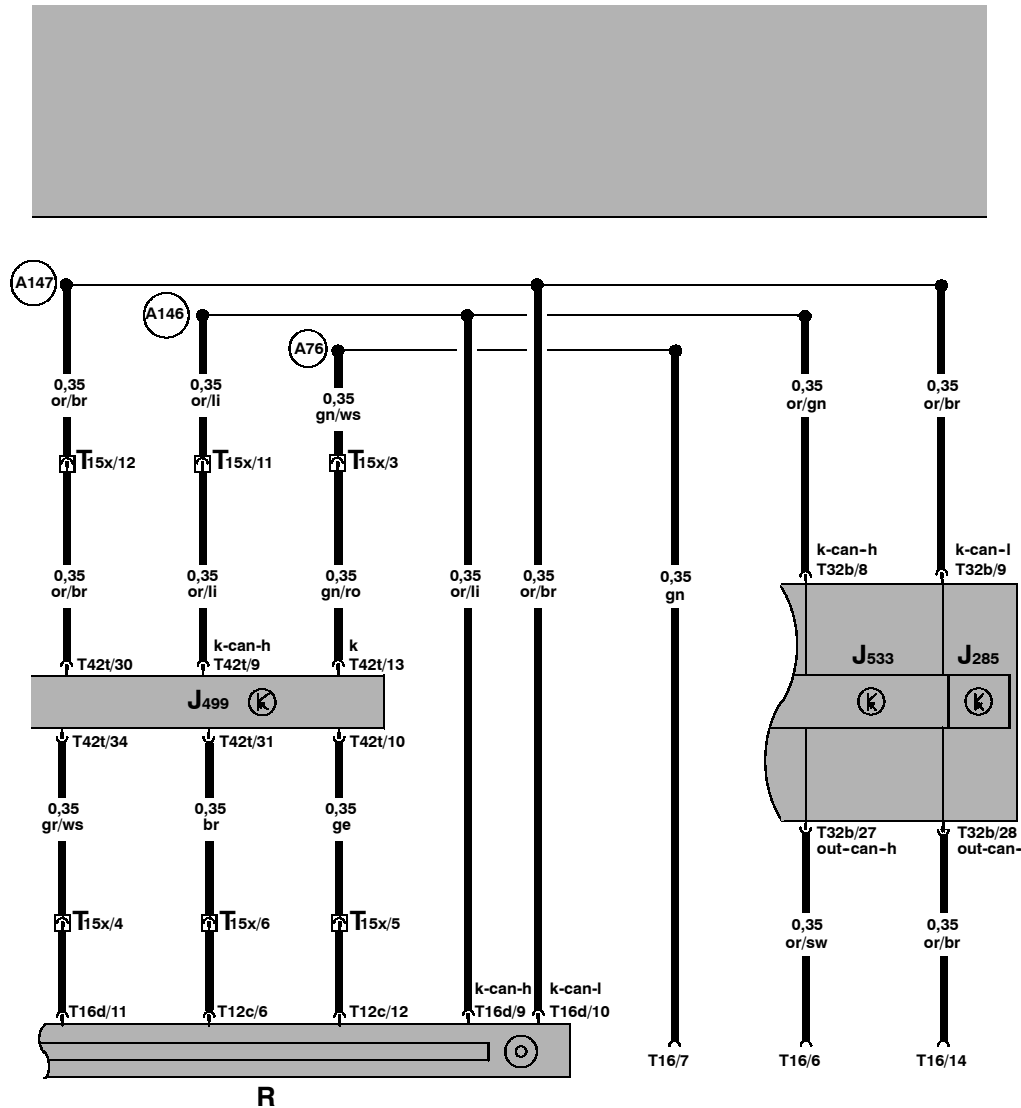
ws = white
 sw = black
 ro = red
 br = brown
 gn = green
 bl = blue
 gr = grey
 li = lilac
 ge = yellow
 or = orange

29 30 31 32 33 34 35 36 37 38 39 40 41 42

Telematics Control Module, Radio, Control module with indicator unit in instrument panel insert, Data Link Connector (DLC)

- J285 - Control module with indicator unit in instrument panel insert
- J533 - Data Bus On Board Diagnostic Interface
- J499 - Telematics Control Module
- R - Radio
- T12c - 12-Pin Connector, green
- T15x - 15-Pin Connector, red
- T16 - 16-Pin Connector, black, Data Link Connector (DLC), under instrument panel, left
- T16d - 16-Pin Connector, black
- T32b - 32-Pin Connector, green, on instrument cluster
- T42t - 42-Pin Connector

- (A76) - Connector (K-diagnosis wire) in instrument panel wiring harness
- (A146) - Comfort System High-bus Connection (in instrument panel wiring harness)
- (A147) - Comfort System Low-bus Connection (in instrument panel wiring harness)



- ws = white
- sw = black
- ro = red
- br = brown
- gn = green
- bl = blue
- gr = grey
- li = lilac
- ge = yellow
- or = orange

29 30 31 32 33 34 35 36 37 38 39 40 41 42

97-35542