

High Intensity Gas Discharge (HID) Headlights, only engine code BDP

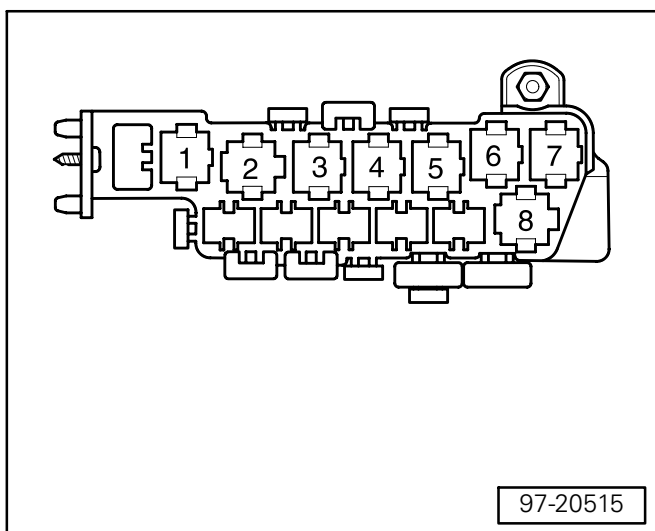
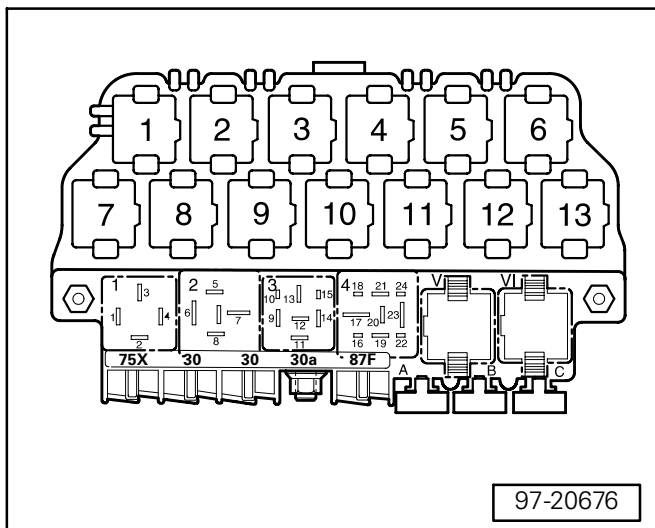
from January 2002

Deviate relay location and fuseplacements as well as the locations of multiple connectors see section "component locations"

Relay location on the thirteen position auxiliary relay panel, above relay panel:

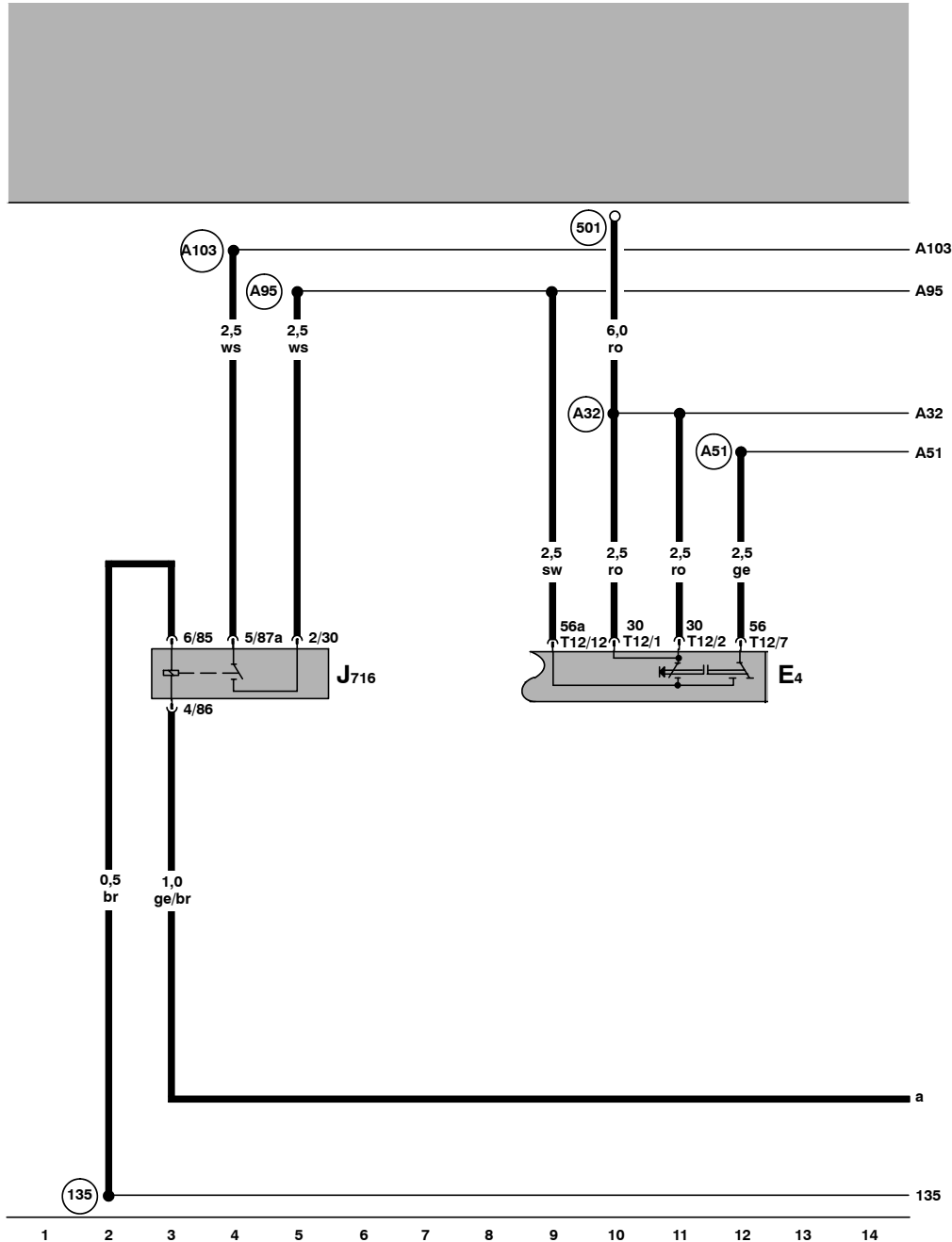
- 5 - J89 - Daytime running Lights Change-over Relay (173)
- 7 - J9 - Rear Window Defogger Relay (381)

Relay panel:



Relay location on the eight position auxiliary relay panel, above relay panel:

Headlight Dimmer/Flasher Switch, Additional High Beam Switch - off Relay

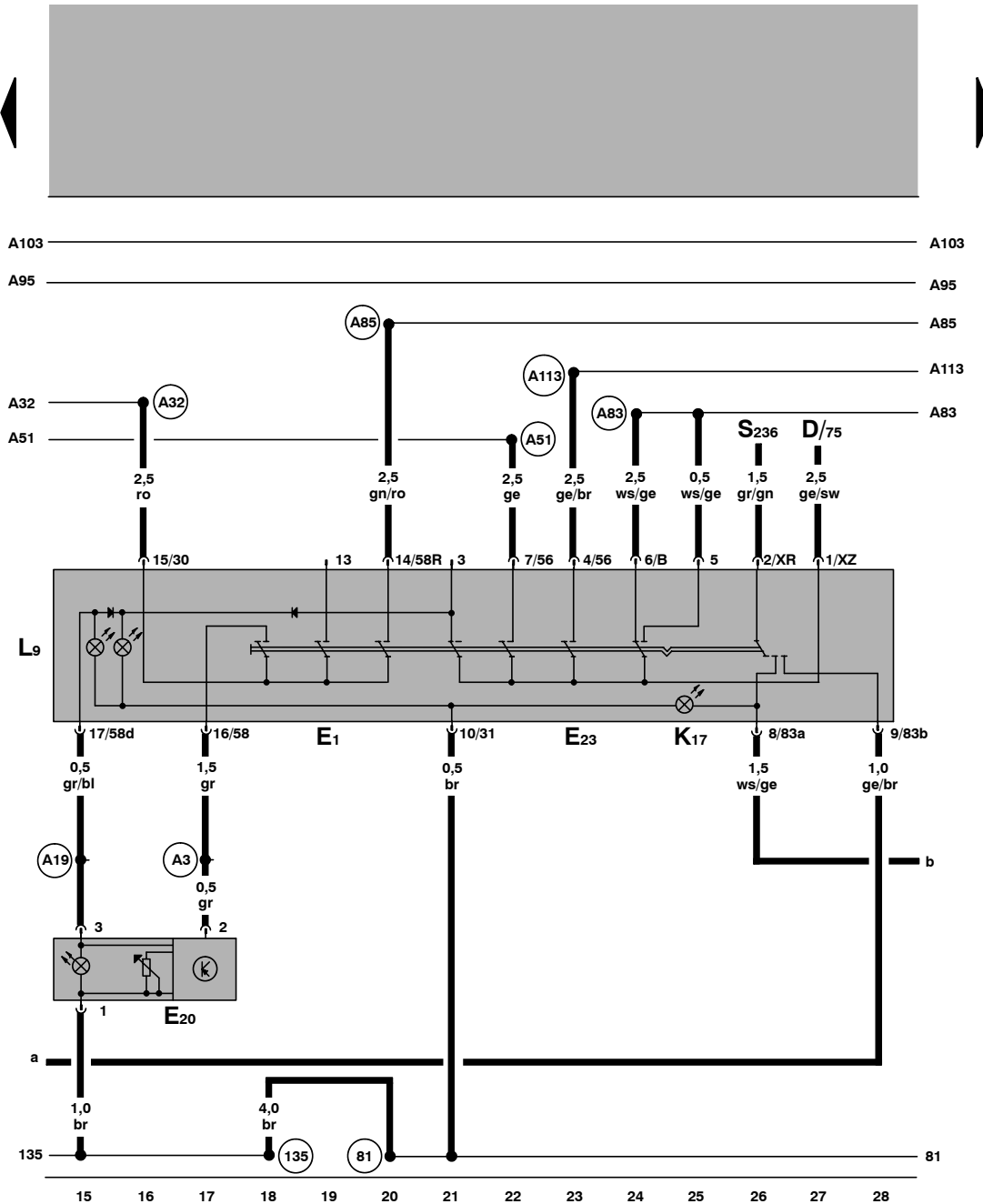


- E4 - Headlight Dimmer/Flasher Switch
- J716 - Additional High Beam Switch - off Relay
- T12 - 12-Pin Connector, black

- (135) - Ground connection -2-, in instrument panel wiring harness
- (501) - Threaded connection -2- (30) on the relay plate
- (A32) - plus connection (30), in instrument panel wiring harness
- (A51) - wire connection (56), in instrument panel wiring harness
- (A95) - Connection 1 (56a), in instrument panel wiring harness
- (A103) - Connector -2- (56), in instrument panel wiring harness

ws = white
 sw = black
 ro = red
 br = brown
 gn = green
 bl = blue
 gr = grey
 li = lilac
 ge = yellow
 or = orange

Light switch, Instrument Panel Light Dimmer Switch, Fog Light Switch, Fog Light Indicator Light, Headlight Switch Light

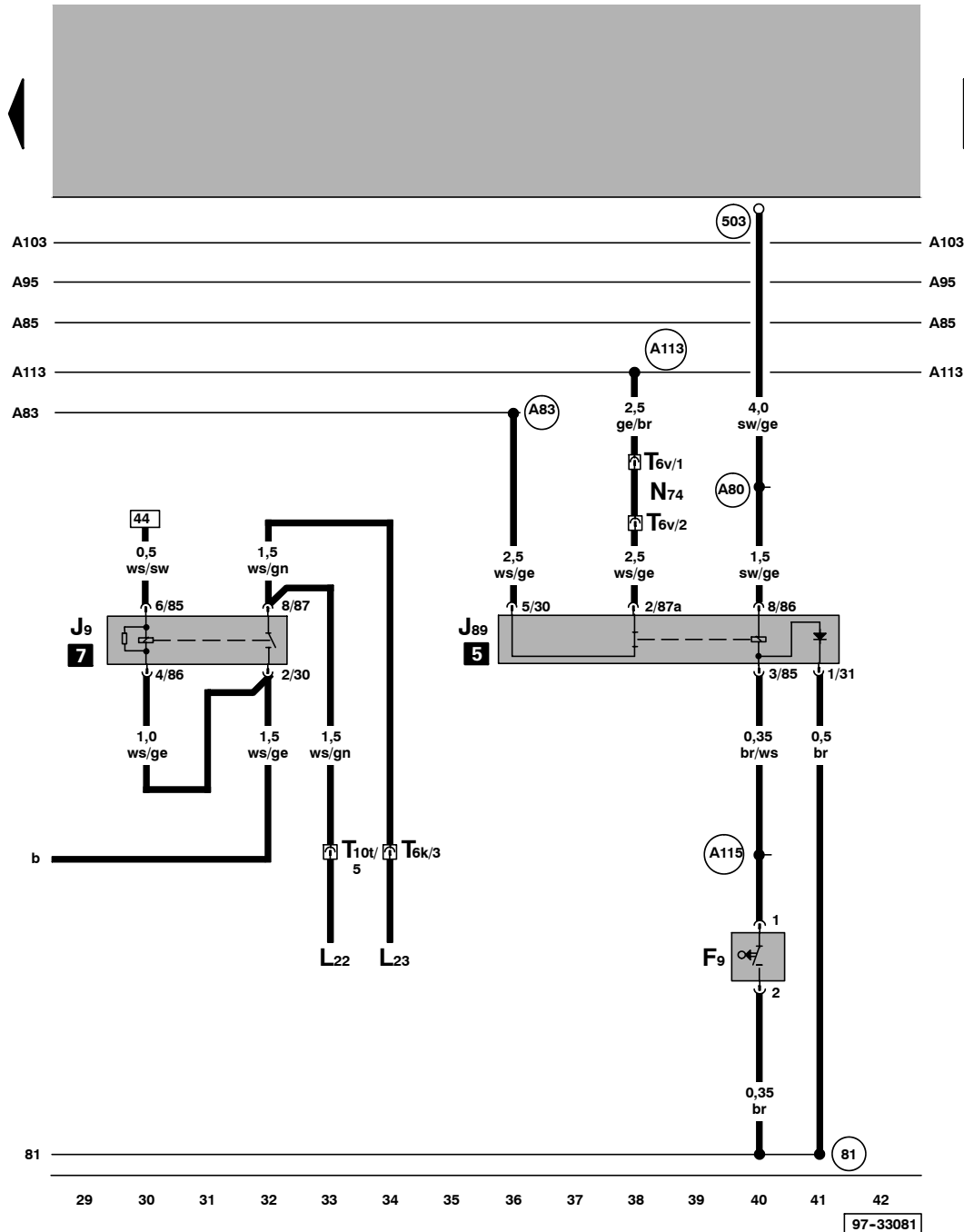


- D - Ignition/Starter Switch
- E1 - Light switch
- E20 - Instrument Panel Light Dimmer Switch
- E23 - Fog Light Switch
- K17 - Fog Light Indicator Light
- L9 - Headlight Switch Light
- S236 - Fuse in fuse holder

- (81) - Ground connection -1-, in instrument panel wiring harness
- (135) - Ground connection -2-, in instrument panel wiring harness
- (A3) - plus connection (58), in instrument panel wiring harness
- (A19) - wire connection (58d), in instrument panel wiring harness
- (A32) - plus connection (30), in instrument panel wiring harness
- (A51) - wire connection (56), in instrument panel wiring harness
- (A83) - Connector (daytime running lights), in instrument panel wiring harness
- (A85) - Connector (58R) in Instrument panel wiring harness
- (A113) - Connection 2 (daytime running lights), in instrument panel wiring harness

ws = white
 sw = black
 ro = red
 br = brown
 gn = green
 bl = blue
 gr = grey
 li = lilac
 ge = yellow
 or = orange

Parking Brake Warning Light Switch, Rear Window Defogger Relay, Daytime Running Lights Change-over Relay

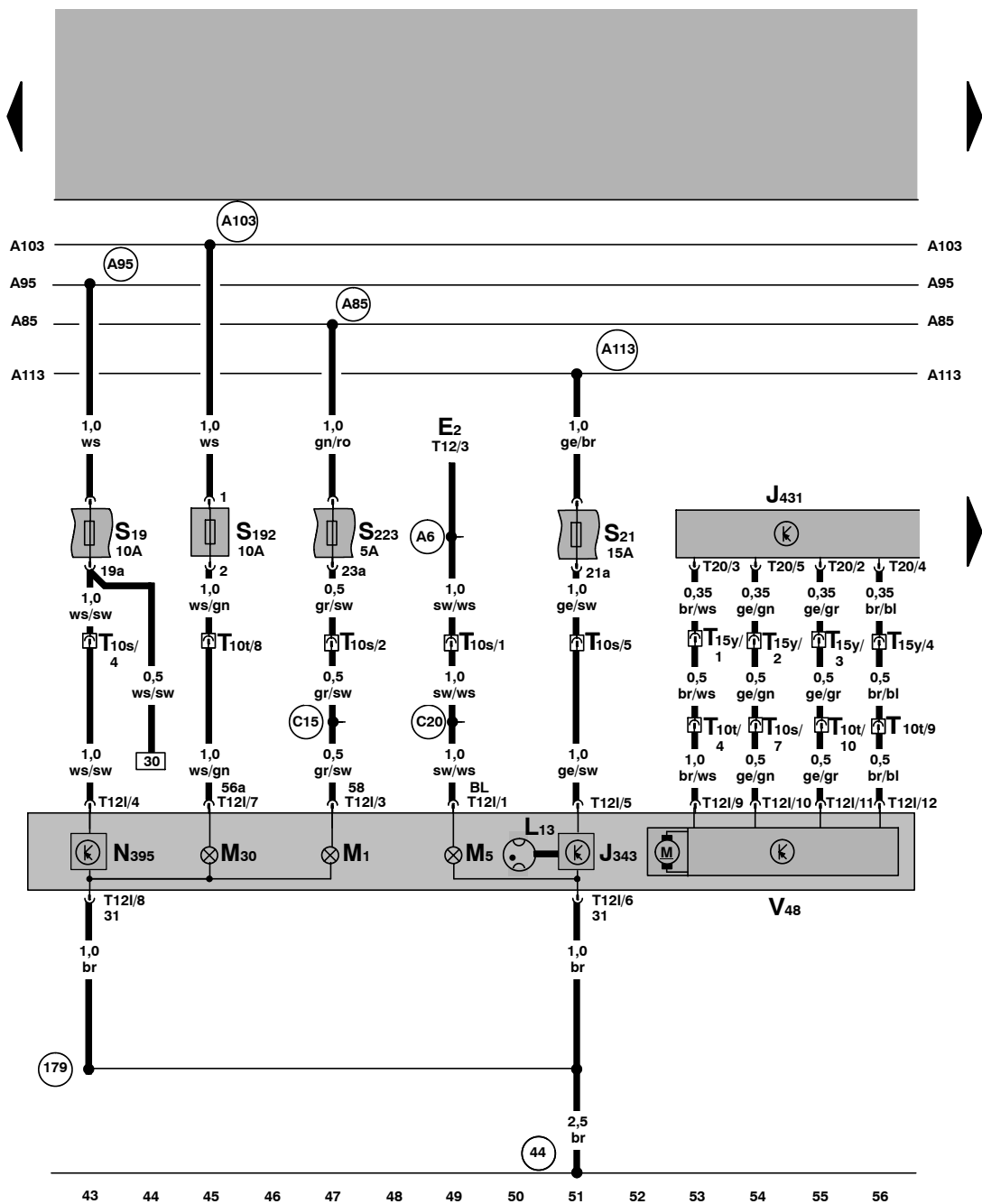


- F9 - Parking Brake Warning Light Switch
- J9 - Rear Window Defogger Relay
- J89 - Daytime Running Lights Change-over Relay
- L22 - Left Front Fog Light
- L23 - Right Front Fog Light
- N74 - Series Resistance Wiring
- T6v - 6-Pin Connector, lilac
- T6k - 6-Pin Connector, red
- T10t - 10-Pin Connector, red

- (81) - Ground connection -1-, in instrument panel wiring harness
- (503) - Bolted Connection (75x) (at relay panel)
- (A80) - Connector -1- (X) in instrument panel wiring harness
- (A83) - Connector (daytime running lights), in instrument panel wiring harness
- (A113) - Connection 2 (daytime running lights), in instrument panel wiring harness
- (A115) - Connection (parking brake control) in instrument panel wiring harness

ws = white
 sw = black
 ro = red
 br = brown
 gn = green
 bl = blue
 gr = grey
 li = lilac
 ge = yellow
 or = orange

Headlight Range Control Module, Left High - intensity Gas Discharge Lamp Control Module, Left High Beam Headlight, Left Headlight Beam Adjusting Motor, High intensity gas discharge lamp

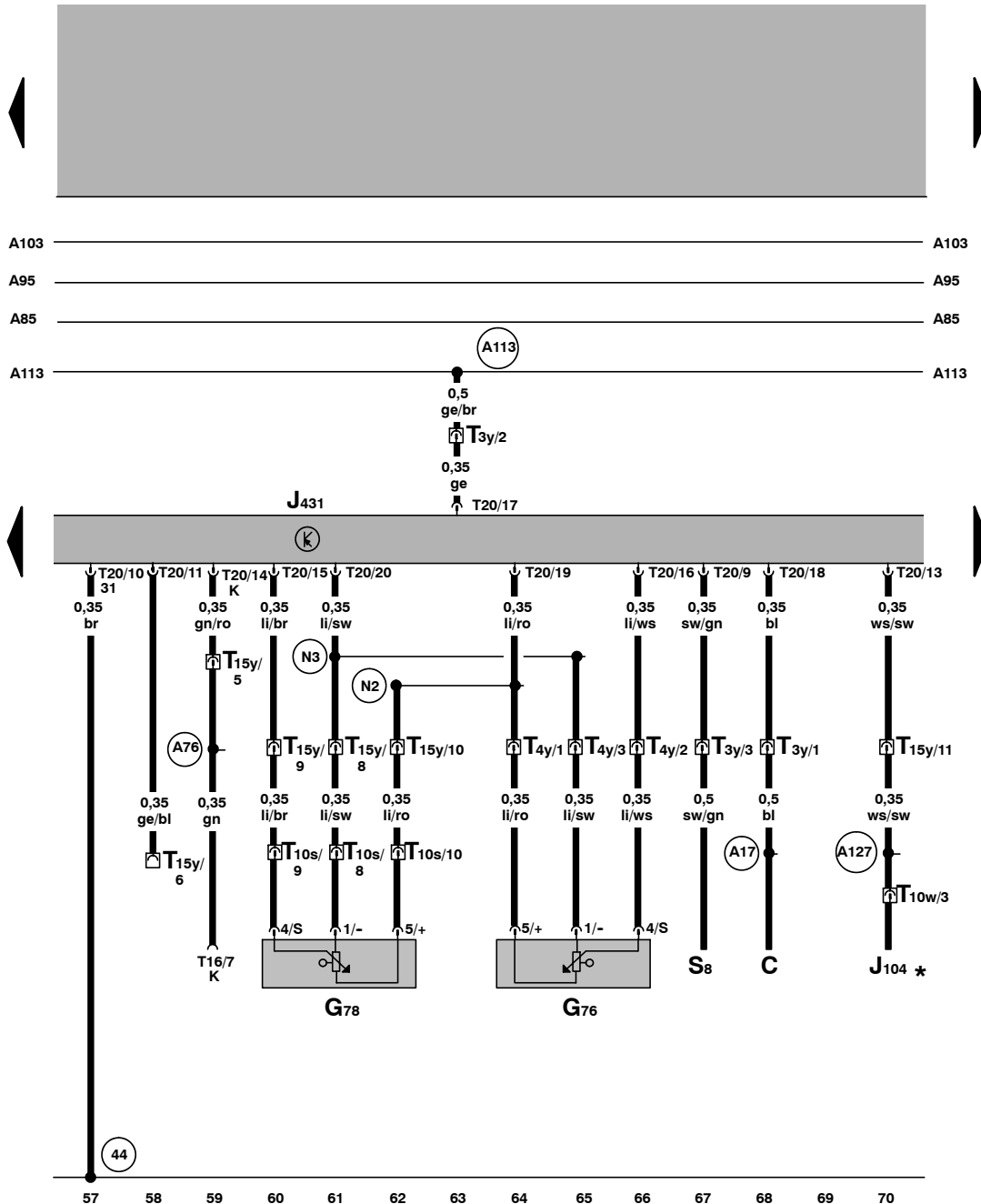


- E2 - Turn signal switch
- J343 - Left High-intensity Gas Discharge Lamp Control Module
- J431 - Headlight Range Control Module
- L13 - High intensity gas discharge lamp
- M1 - Left Parking Light
- M5 - Left Front Turn Signal Light
- M30 - Left High Beam Headlight
- N395 - Left Headlight Reflector Adjustment Solenoid
- S19 - Fuse
- S21 - Fuse
- S192 - Fuse for high beam, left
- S223 - Fuse in fuse holder
- T10s - 10-Pin Connector, rose
- T10t - 10-Pin Connector, red
- T12 - 12-Pin Connector, black
- T12l - 12-Pin Connector, on Left Headlight
- T15y - 15-Pin Connector, black
- T20 - 20-Pin Connector
- V48 - Left Headlight Beam Adjusting Motor

- (44) - Ground connection, on left A-pillar, lower part
- (179) - Ground connection, in right headlight wiring harness
- (A6) - plus connection (left turn signal), in instrument panel wiring harness
- (A85) - Connector (58R) in Instrument panel wiring harness
- (A95) - Connection 1 (56a), in instrument panel wiring harness
- (A103) - Connector -2- (56), in instrument panel wiring harness
- (A113) - Connection 2 (daytime running lights), in instrument panel wiring harness
- (C15) - Wire connection -1-, in headlight wiring harness
- (C20) - Wire connection (left turn signal), in headlight wiring harness

ws = white
 sw = black
 ro = red
 br = brown
 gn = green
 bl = blue
 li = lilac
 ge = yellow
 or = orange

Headlight Range Control Module, Left Rear Level Control System Sensor, Left Front Level Control System Sensor, Data Link Connector (DLC)

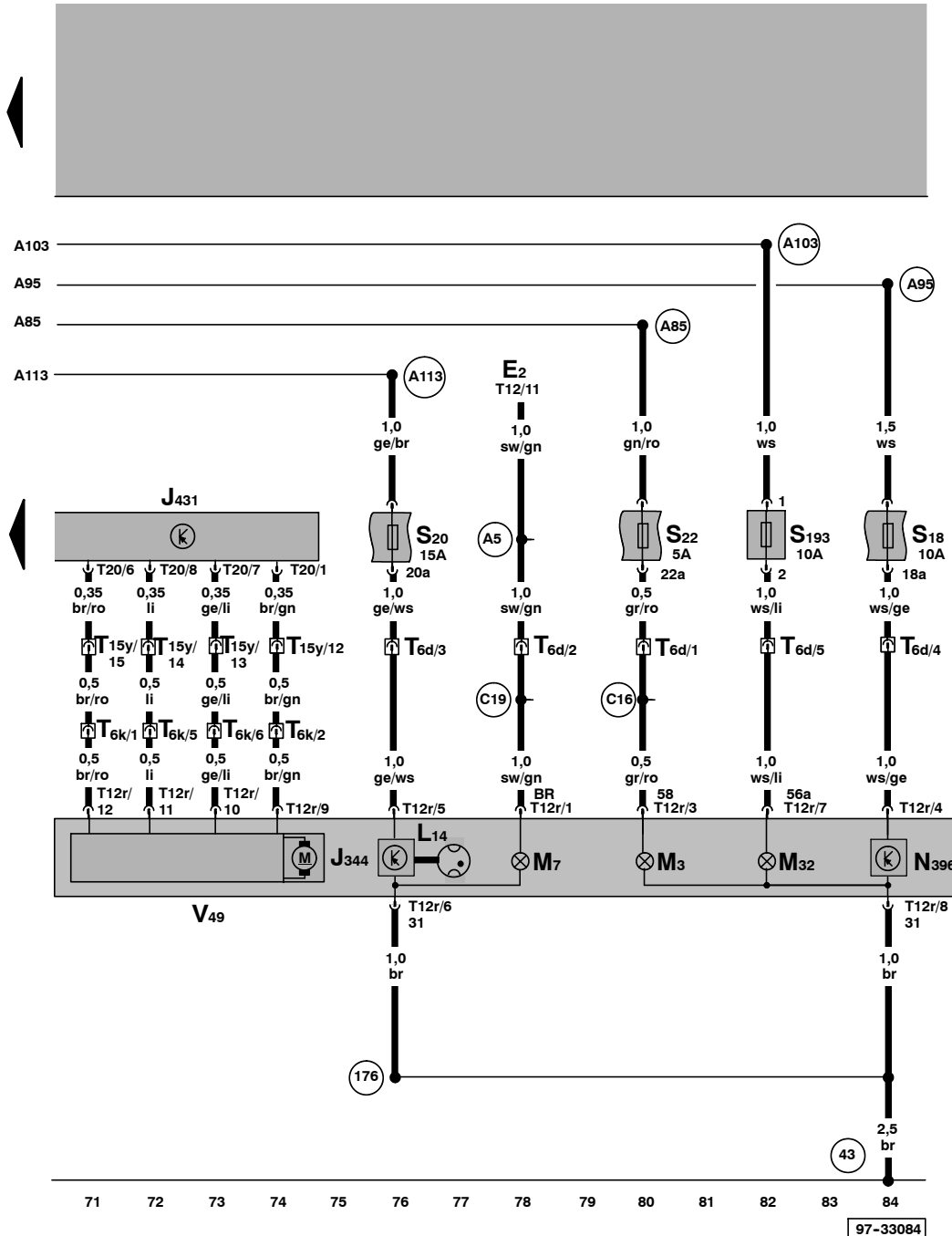


- C - Generator (GEN)
- G76 - Left Rear Level Control System Sensor
- G78 - Left Front Level Control System Sensor
- J104 - ABS Control Module (w/EDL)
- J431 - Headlight Range Control Module
- S8 - Fuse
- T3y - 3-Pin Connector, black
- T4y - 4-Pin Connector
- T10s - 10-Pin Connector, rose
- T10w- 10-Pin Connector
- T15y - 15-Pin Connector, black
- T16 - 16-Pin Connector, Data Link Connector (DLC), below instrument panel, left
- T20 - 20-Pin Connector

- (44) - Ground connection, on left A-pillar, lower part
- (A17) - wire connection (61), in instrument panel wiring harness
- (A76) - Connector (K-diagnosis wire) in instrument panel wiring harness
- (A113) - Connection 2 (daytime running lights), in instrument panel wiring harness
- (A127) - Connection (left rear speed sensor) in instrument panel wiring harness
- (N2) - Connection 1 (in headlight range control wiring harness)
- (N3) - Connection 2 (in headlight range control wiring harness)
- * - Navigation only

ws = white
 sw = black
 ro = red
 br = brown
 gn = green
 bl = blue
 gr = grey
 li = lilac
 ge = yellow
 or = orange

Headlight Range Control Module, Right High - intensity Gas Discharge Lamp Control Module, Right High Beam Headlight, Right Headlight Beam Adjusting Motor, High intensity discharge lamp



- E2 - Turn signal switch
- J344 - Right High-intensity Gas Discharge Lamp Control Module
- J431 - Headlight Range Control Module
- L14 - High intensity discharge lamp
- M3 - Right Parking Light
- M7 - Right Front Turn Signal Light
- M32 - Right High Beam Headlight
- N396 - Right Headlight Reflector Adjustment Solenoid
- S18 - Fuse
- S20 - Fuse
- S22 - Fuse
- S193 - Fuse for high beam, right
- T6d - 6-Pin Connector
- T6k - 6-Pin Connector, red
- T12 - 12-Pin Connector, black
- T12r - 12-Pin Connector, on headlight right
- T15y - 15-Pin Connector, black
- T20 - 20-Pin Connector
- V49 - Right Headlight Beam Adjusting Motor

- (43) - Ground connection, on right A-pillar, lower part
- (176) - Ground connection, in right headlight wiring harness
- (A5) - plus connection (right turn signal), in instrument panel wiring harness
- (A85) - Connector (58R) in Instrument panel wiring harness
- (A95) - Connection 1 (56a), in instrument panel wiring harness
- (A103) - Connector -2- (56), in instrument panel wiring harness
- (A113) - Connection 2 (daytime running lights), in instrument panel wiring harness
- (C16) - Wire connection -2-, in headlight wiring harness
- (C19) - Connector -1- (right turn signal), in wiring harness headlamp

ws = white
 sw = black
 ro = red
 br = brown
 gn = green
 bl = blue
 gr = grey
 li = lilac
 ge = yellow
 or = orange