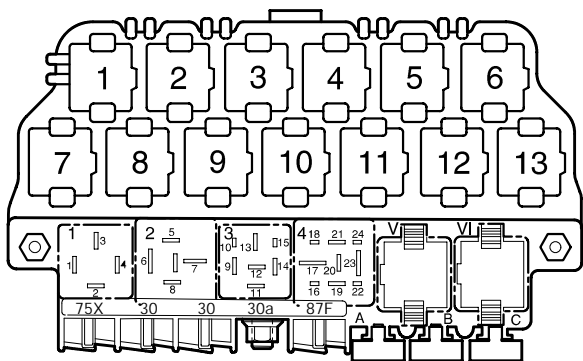


Climatronic

● 4,0I - Engine - Motronic Multiport Fuel Injection (MFI)/ 202kW, code BDP

from January 2002

Deviate relay location and fuseplacements as well as the locations of multiple connectors see section "component locations".

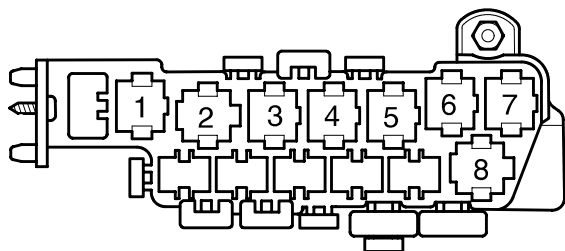


97-20676

Relay location on the thirteen position auxiliary relay panel, above relay panel:

- 2** Solar Cell Separation Relay

Relay panel:

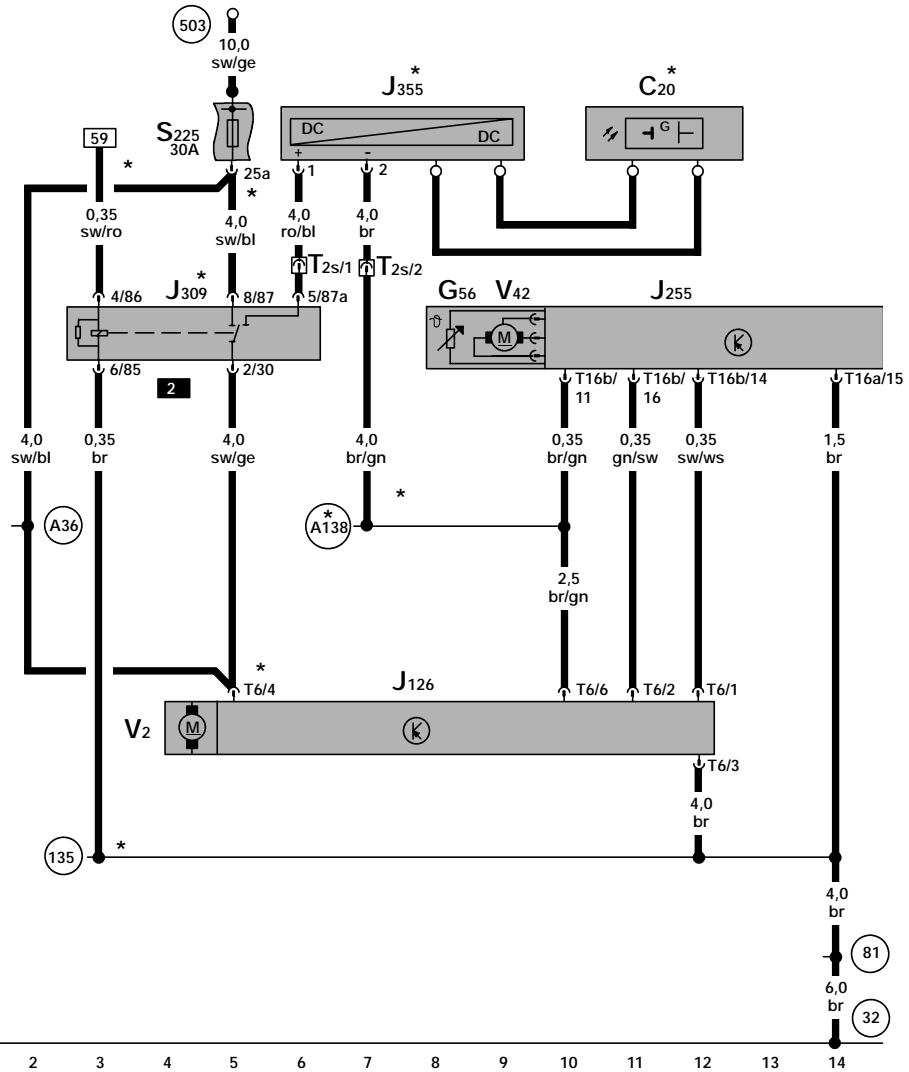


97-20515

Relay location on the eight position auxiliary relay panel, behind relay panel:

Note: Number in parentheses indicates production control number stamped on relay housing.

- Fuse colors
- 30 A - green
 - 25 A - white
 - 20 A - yellow
 - 15 A - blue
 - 10 A - red
 - 7,5 A - brown
 - 5 A - beige



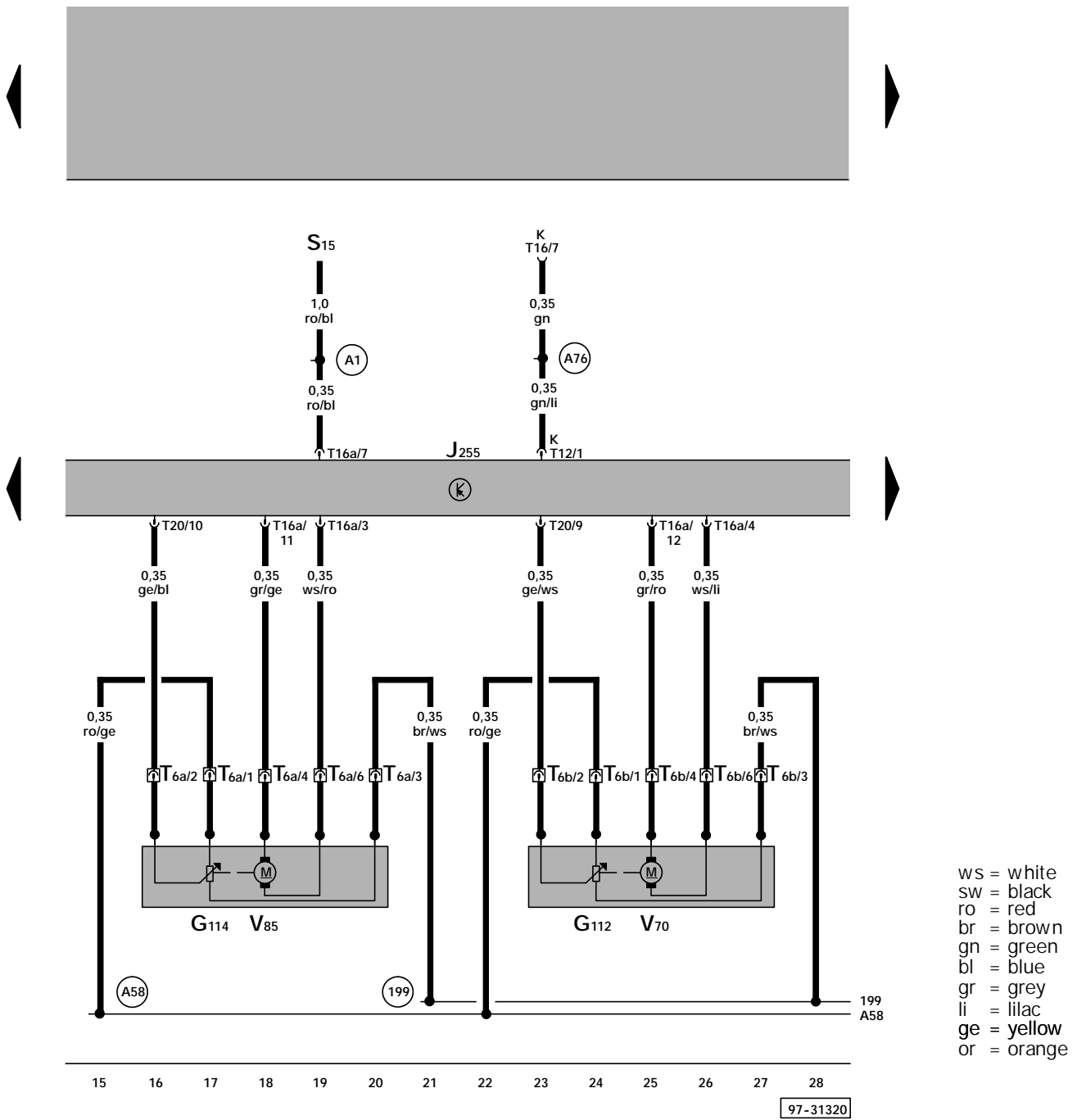
ws = white
 sw = black
 ro = red
 br = brown
 gn = green
 bl = blue
 gr = grey
 li = lilac
 ge = yellow
 or = orange

97-31319

- C20 - Generator (GEN)
- G56 - Instrument Panel Interior Temperature Sensor
- J126 - Control module for fresh air blower
- J255 - Climatronic Control Module
- J309 - Solar Cell Separation Relay
- J355 - Control module for solar operation
- S225 - Fuse in fuse holder
- T2s - Double Connector
- T6 - 6-Pin Connector, on Control module for fresh air blower
- T16a - 16-Pin Connector, black
- T16b - 16-Pin Connector, brown
- V2 - Fresh Air Blower
- V42 - Interior Temperature Sensor Fan

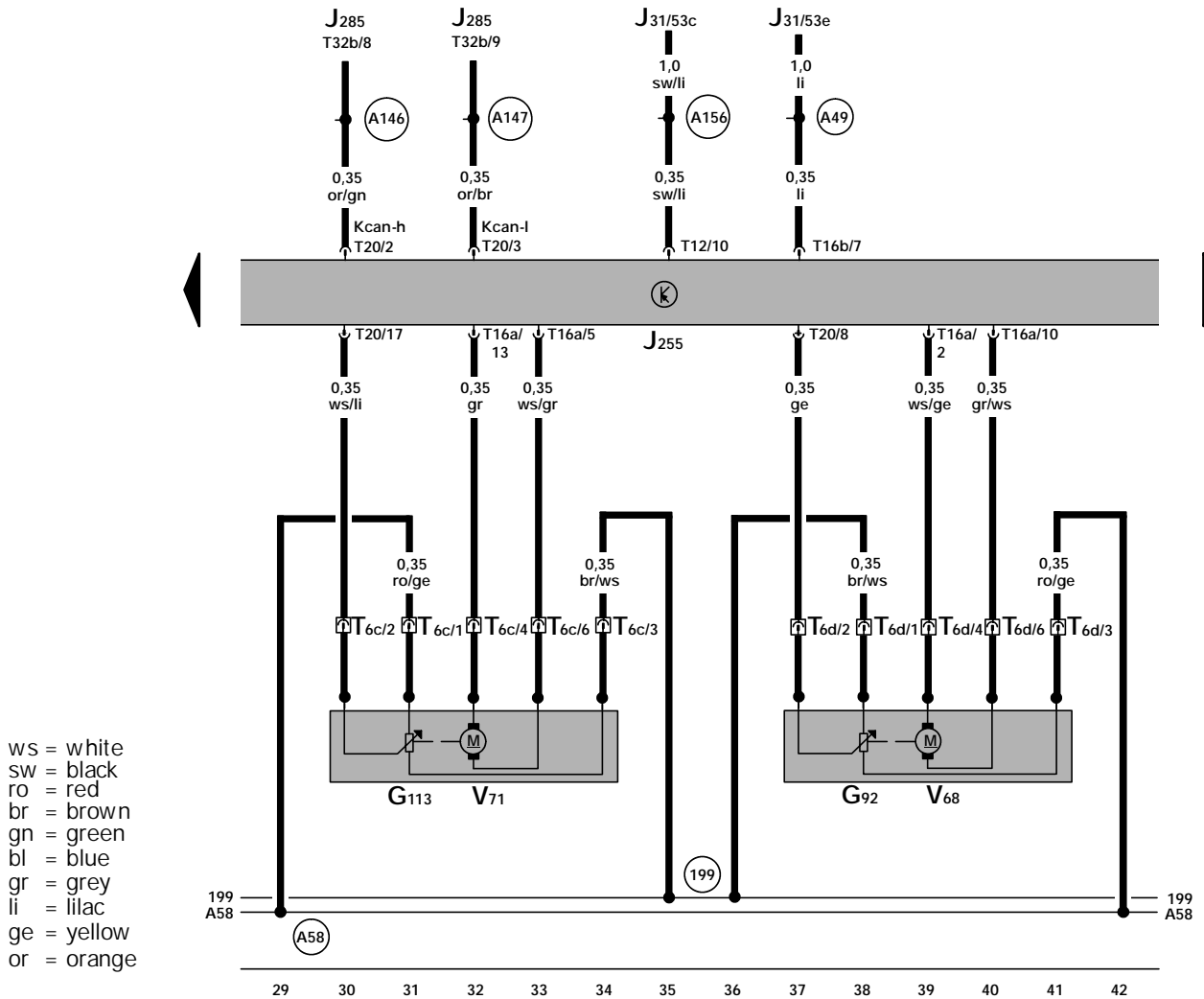
- (32) - Ground connection, behind instrument panel, left
- (81) - Ground connection -1-, in instrument panel wiring harness
- (135) - Ground connection -2-, in instrument panel wiring harness
- (503) - Bolted Connection (75x) (at relay panel)
- (A36) - wire connection (75a), in instrument panel wiring harness
- (A138) - Connection 2 (in instrument panel wiring harness)

* - solar cell



- G112 - Central Flap Motor Position Sensor
- G114 - Footwell/Defrost Flap Motor Position Sensor
- J255 - Climatronic Control Module
- S15 - Fuse
- T6a - 6-Pin Connector, black, behind instrument panel, center
- T6b - 6-Pin Connector, blue, behind instrument panel, center
- T12 - 12-Pin Connector black
- T16 - 16-Pin Connector, Data Link Connector (DLC), below instrument panel
- T16a - 16-Pin Connector, black
- T20 - 20-Pin Connector, red
- V70 - Central Air Flap Motor
- V85 - Footwell/Defroster Flap Motor

- (199) - Ground connection -3-, in instrument panel wiring harness
- (A1) - plus connection (30a), in instrument panel wiring harness
- (A58) - Wire connection (5 V), in instrument cluster wiring harness
- (A76) - Connector (K-diagnosis wire) in instrument panel wiring harness

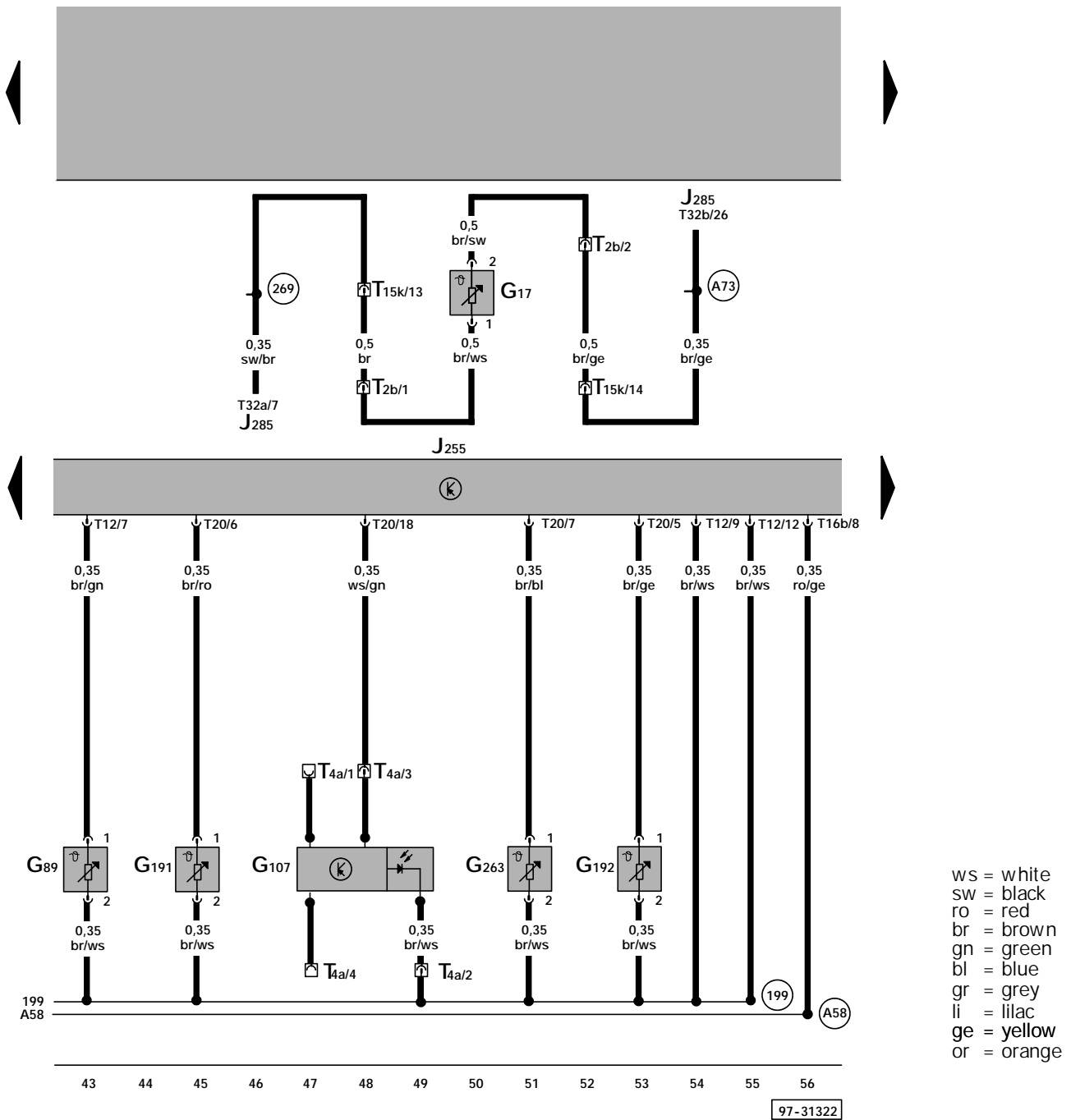


ws = white
 sw = black
 ro = red
 br = brown
 gn = green
 bl = blue
 gr = grey
 li = lilac
 ge = yellow
 or = orange

97-31321

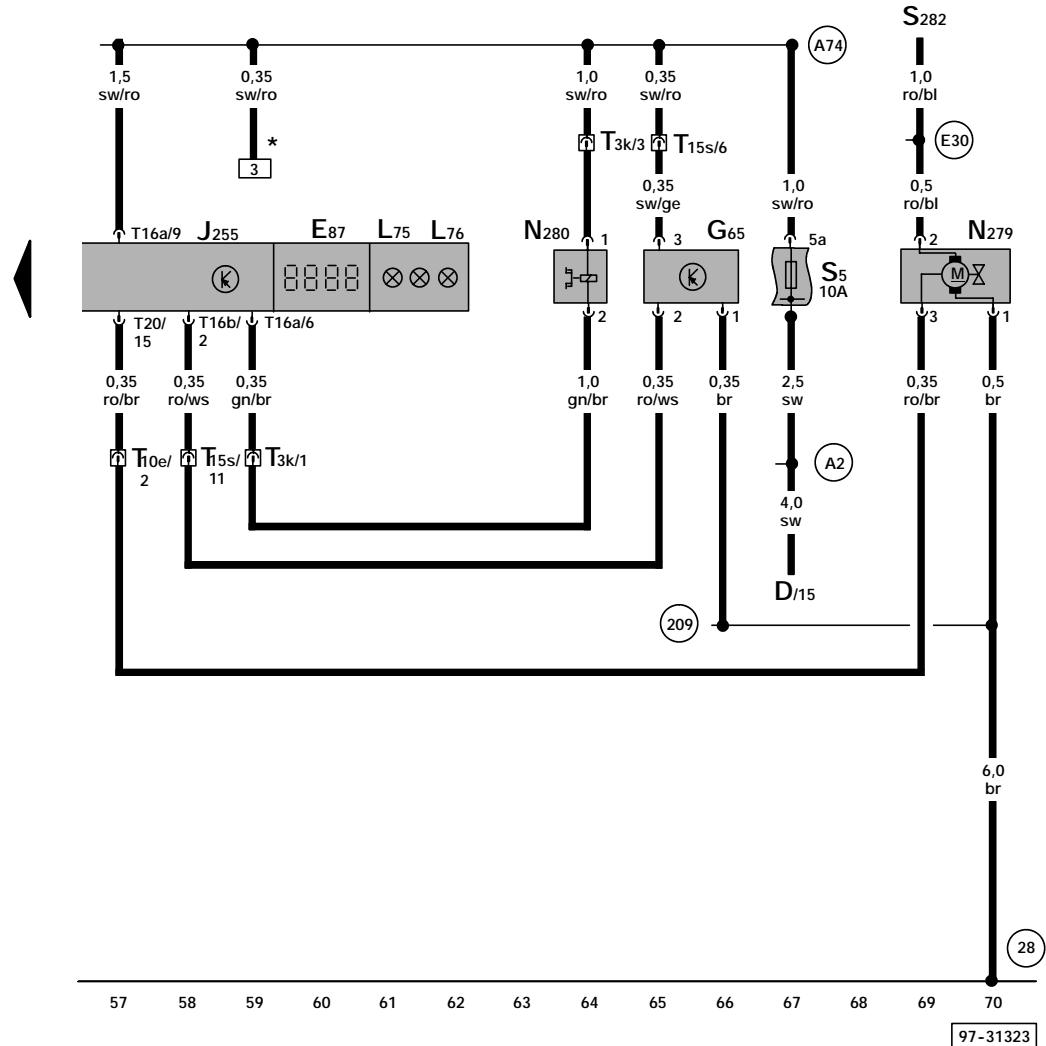
- G92 - Temperature Regulator Flap Motor Position Sensor
- G113 - Back Pressure Flap Motor Position Sensor
- J31 - Wiper/Washer Intermittent Relay
- J255 - Climatronic Control Module
- J285 - Control module with indicator unit in instrument panel insert
- T6c - 6-Pin connector, black
- T6d - 6-Pin connector, red
- T12 - 12-Pin connector, black
- T16a - 16-Pin connector, black
- T16b - 16-Pin connector, brown
- T20 - 20-Pin connector, red
- T32b - 32-Pin connector, on instrument cluster
- V68 - Temperature Regulator Flap Motor
- V71 - Air Flow Flap Motor

- (199) - Ground connection -3-, in instrument panel wiring harness
- (A49) - wire connection -1-, in instrument panel wiring harness
- (A58) - Wire connection (5 V), in instrument cluster wiring harness
- (A146) - Comfort System High-bus Connection (in instrument panel wiring harness)
- (A147) - Comfort System Low-bus Connection (in instrument panel wiring harness)
- (A156) - Sensor Ground Connection (in engine wiring harness)



- G17 - Outside Air Temperature Sensor
- G89 - Fresh Air Intake Duct Temperature Sensor
- G107- Sunlight Photo Sensor
- G191- Sender for outlet temperature, center
- G192- Sender for outlet temperature, floor outlet
- G263- Evaporator Vent Temperature Sensor
- J255 - Climatronic Control Module
- J285 - Control module with indicator unit in instrument panel insert
- T2b - Double connector
- T4a - 4-Pin connector, black
- T12 - 12-Pin connector, black
- T15k - 15-Pin connector, grey, connector station A-pillar, left
- T16b - 16-Pin connector, brown
- T20 - 20-Pin connector, red

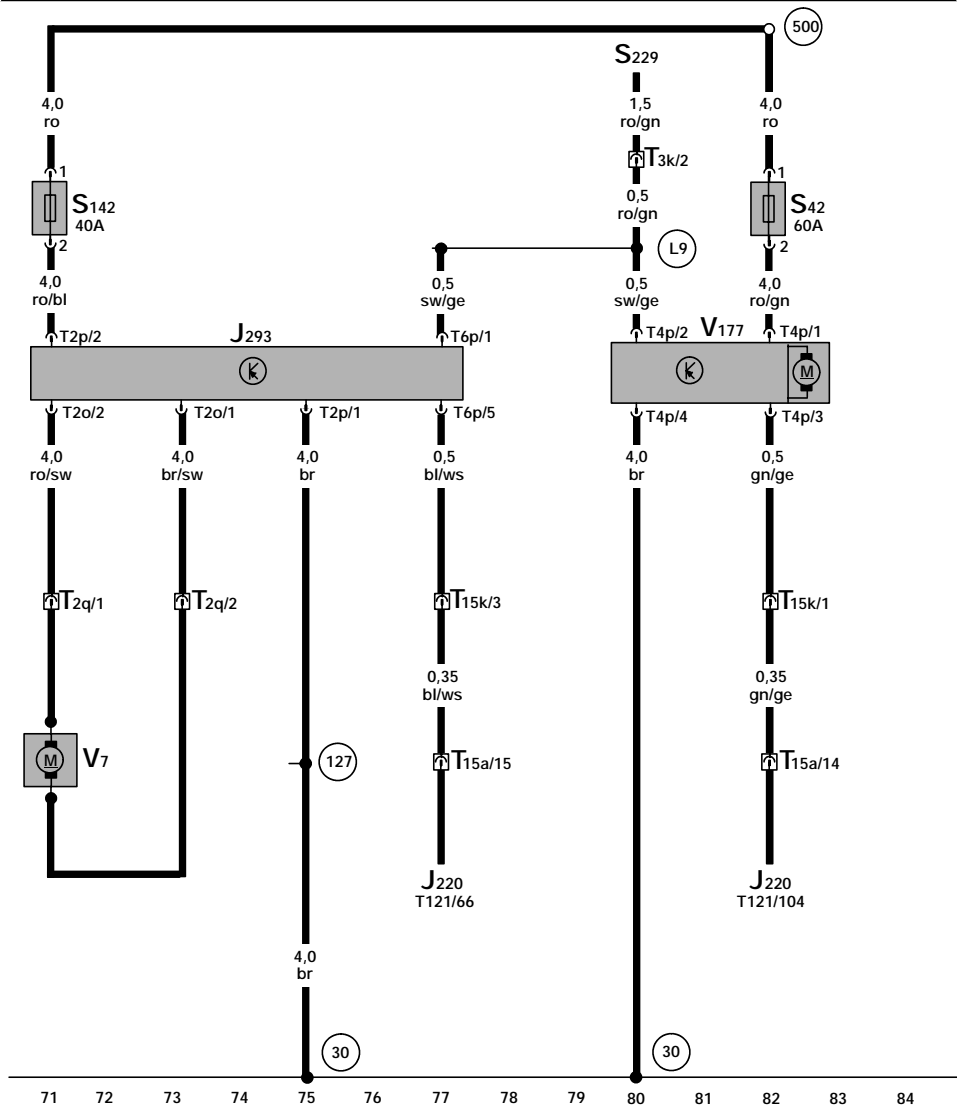
- T32a - 32-Pin connector, blue, on instrument cluster
- T32b - 32-Pin connector, green, on instrument cluster
- (199) - Ground connection -3-, in instrument panel wiring harness
- (269) - Ground connector (sensor ground) -1-, in instrument panel wiring harness
- (A58) - Wire connection (5 V), in instrument cluster wiring harness
- (A73) - Connector (outside temperature indicator), in instrument panel wiring harness



ws = white
 sw = black
 ro = red
 br = brown
 gn = green
 bl = blue
 gr = grey
 li = lilac
 ge = yellow
 or = orange

- D - Ignition/Starter Switch
- E87 - A/C Control Head
- G65 - High Pressure Sensor
- J255 - Climatronic Control Module
- L75 - Digital Display Light
- L76 - Push Button Light
- N279 - Engine Coolant (EC) Switch-off Valve (heater)
- N280 - A/C Compressor Regulator Valve
- S5 - Fuse
- S282 - Engine Electronics Fuse
- T3k - 3-Pin connector, grey, connector station A-pillar, left
- T10e - 10-Pin connector, orange, on protective housing for control module, in engine compartment, left
- T15s - 15-Pin connector, red, on protective housing for control module, in engine compartment, left

- T16a - 16-Pin connector, black
- T16b - 16-Pin connector, brown
- T20 - 20-Pin Connector, red
- (28) - Ground connection, on firewall
- (209) - Ground connection -6-, in engine compartment wiring harness
- (A2) - plus connection (15), in instrument panel wiring harness
- (A74) - Connector (15a - fuse 5) in instrument panel wiring harness
- (E30) - Connector (87a), in wiring harness engine
- * - solar cell



ws = white
 sw = black
 ro = red
 br = brown
 gn = green
 bl = blue
 gr = grey
 li = lilac
 ge = yellow
 or = orange

97-31324

- J220 - Motronic Engine Control Module (ECM)
- J293 - Coolant FC (Fan Control) Control Module
- S42 - Coolant Fan Fuse
- S142 - Control module fuse for coolant fan
- S229 - Fuse in fuse holder
- T2o - Double connector
- T2p - Double connector
- T2q - Double connector, in engine compartment, front left
- T3k - 3-Pin connector, grey, connector station A-pillar, left
- T4p - 4-Pin connector
- T6p - 6-Pin connector
- T15a - 15-Pin connector, white
- T15k - 15-Pin connector, grey, connector station A-pillar, left

- T121 - Connector, 121 point, on Motronic Engine Control Module (ECM)
- V7 - Coolant Fan
- V177 - Coolant Fan -2-
- (30) - Ground connection -1-, beside fuse/relay panel
- (127) - Ground connection -1-, in A/C compressor wiring harness
- (500) - Threaded connection -1- (30) on the relay plate
- (L9) - wire connection -1-, in A/C wiring harness