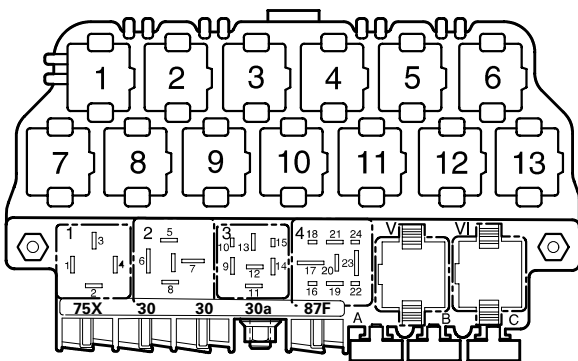


## Air-Conditioning

### 2,8L - Engine - Motronic Multiport Fuel Injection (MFI)/142 kW, code ATQ

from October 2000

Deviate relay location and fuseplacements as well as the locations of multiple connectors see section "component locations".

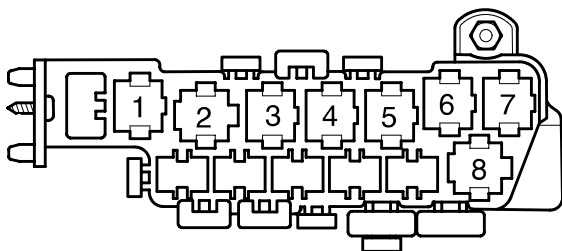


97-20676

Relay location on the thirteen position auxiliary relay panel, above relay panel:

- 1** Coolant Fan Control (FC) Relay (214)
- 3** A/C Cut-Off Control Module (384)

Relay panel:



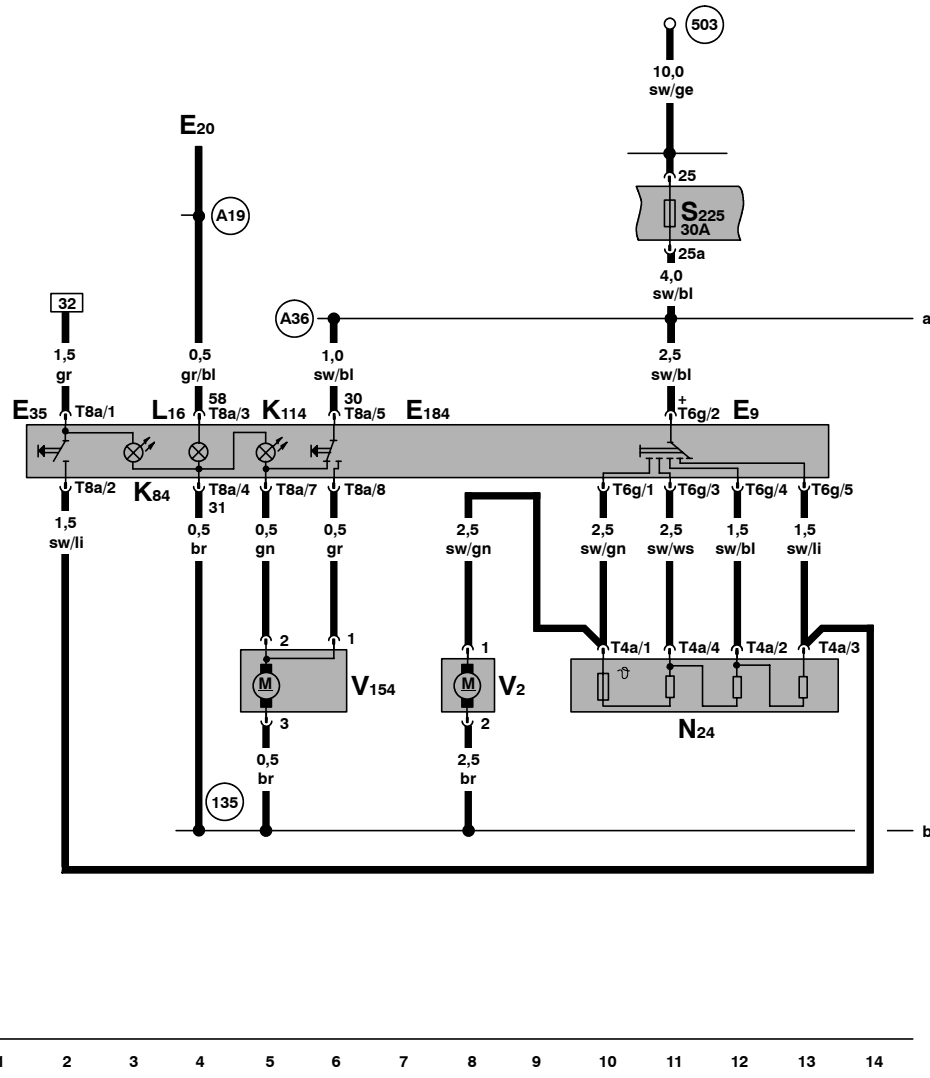
97-20515

Relay location on the eight position auxiliary relay panel, behind relay panel:

Note: Number in parentheses indicates production control number stamped on relay housing.

#### Fuse colors

- 30 A - green
- 25 A - white
- 20 A - yellow
- 15 A - blue
- 10 A - red
- 7,5 A - brown
- 5 A - beige

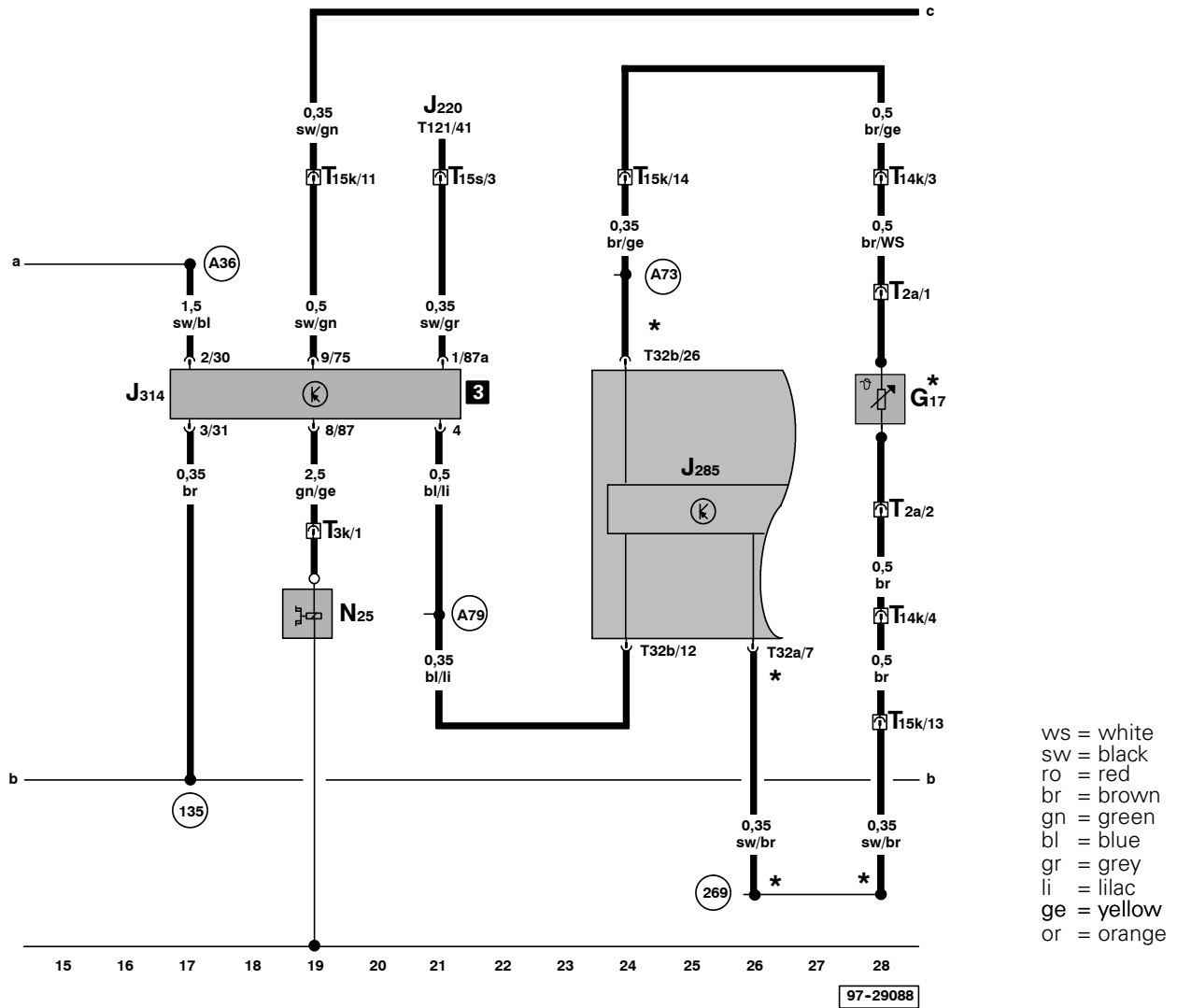


ws = white  
 sw = black  
 ro = red  
 br = brown  
 gn = green  
 bl = blue  
 gr = grey  
 li = lilac  
 ge = yellow  
 or = orange

97-29087

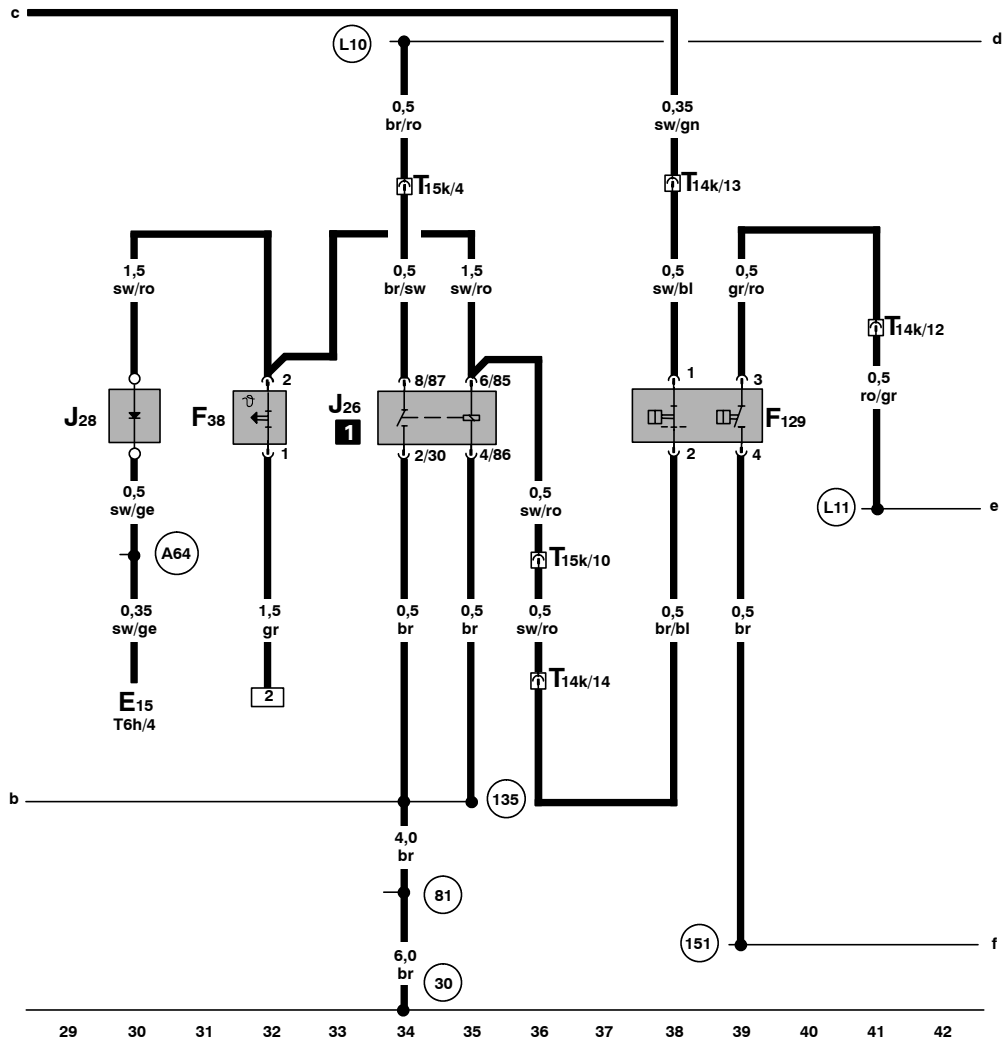
- E9 - Fresh Air Blower Switch
- E20 - Instrument Panel Light Dimmer Switch
- E35 - A/C Switch
- E184 - Switch for fresh air blower and recirculated air
- K84 - A/C Indicator Light
- K114 - Fresh Air and Recirculating Air Mode Indicator Light
- L16 - Fresh Air Control Lever Light
- N24 - Fresh Air Blower Series Resistance With Fuse
- S225 - Fuse in fuse holder
- T4a - 4-Pin Connector
- T6g - 6-Pin Connector
- T8a - 8-Pin Connector
- V2 - Fresh Air Blower
- V154 - Servomotor for fresh-/recirculating air door

- (135) - Ground connection -2-, in instrument panel wiring harness
- (503) - Bolted Connection (75x) (at relay panel)
- (A19) - wire connection (58d), in instrument panel wiring harness
- (A36) - wire connection (75a), in instrument panel wiring harness



- G17 - Outside Air Temperature Sensor
- J220 - Motronic Engine Control Module (ECM)
- J285 - Control module with indicator unit in instrument panel insert
- J314 - A/C Cut-Off Control Module
- N25 - A/C Clutch
- T2a - Double Connector
- T3k - 3-Pin Connector, grey
- T14k - 14-Pin Connector, black
- T15k - 15-Pin Connector
- T15s - 15-Pin Connector, red, on protective housing for control module, in engine compartment, left
- T32a - 32-Pin Connector, blue, on instrument cluster
- T32b - 32-Pin Connector, green, on instrument cluster
- T121 - Connector 121 point, on Engine Control Module (ECM)

- (135) - Ground connection -2-, in instrument panel wiring harness
- (269) - Ground connector (sensor ground) -1-, in instrument panel wiring harness
- (A36) - wire connection (75a), in instrument panel wiring harness
- (A73) - Connector (outside temperature indicator), in instrument panel wiring harness
- (A79) - Connector (engine overheat warning light) instrument wiring harness
- \* multi-function display only

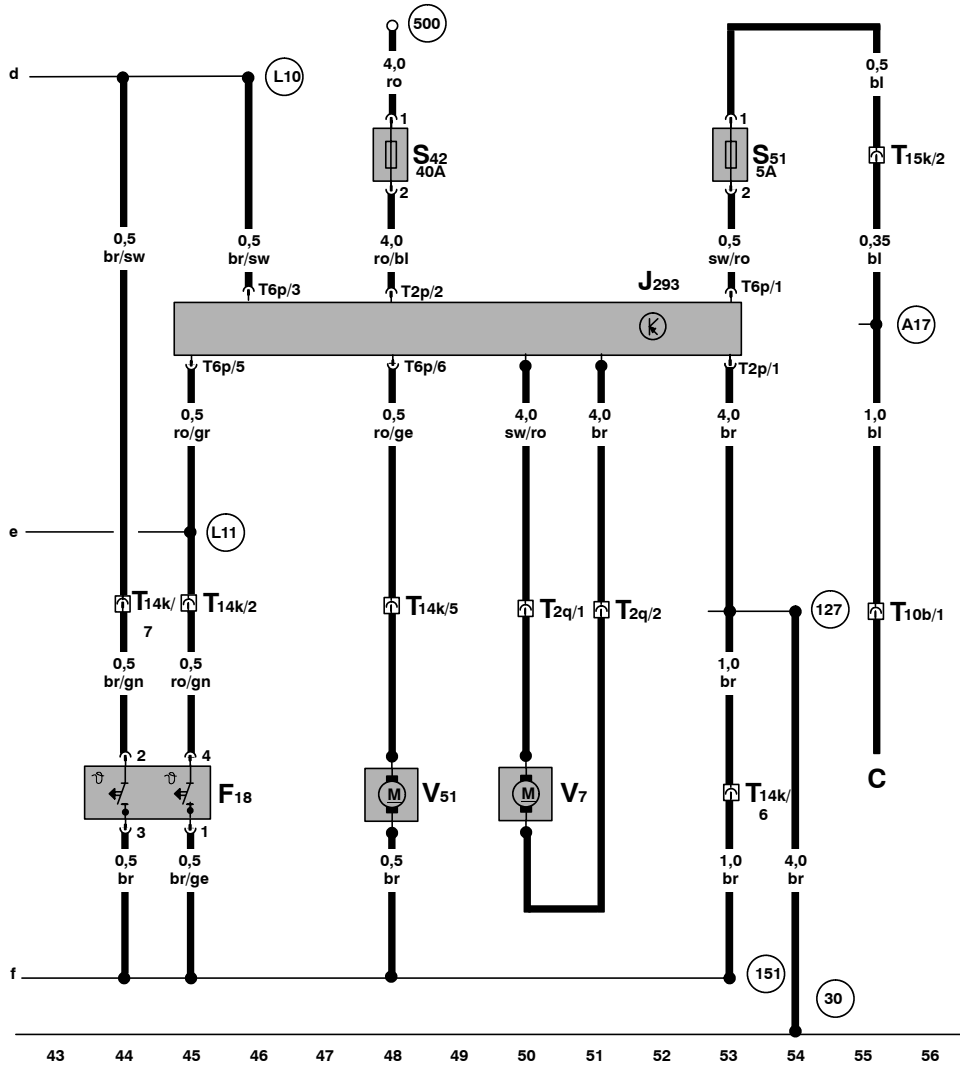
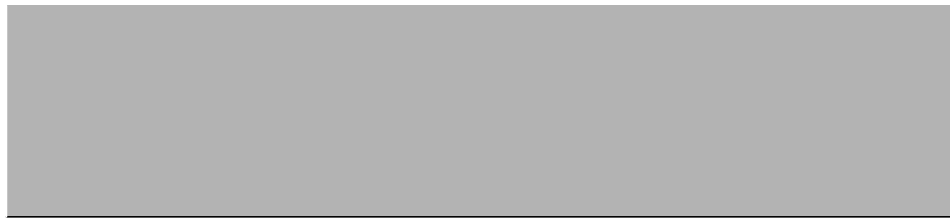


97-29089

- E15 - Rear window defogger switch
- F38 - Ambient Temperature Switch
- F129 - A/C Pressure Switch
- J26 - Coolant Fan control (FC) Relay
- J28 - A/C Diode
- T6h - 6-Pin Connector, black, on rear window defogger switch
- T14k - 14-Pin Connector, black
- T15k - 15-Pin Connector

- (151) - Ground connection -1-, in front wiring harness
- (A64) - Connector (30, idle boost), in instrument panel wiring harness
- (L10) - wire connection -2-, in A/C wiring harness
- (L11) - wire connection -3-, in A/C wiring harness

- (30) - Ground connection, -1-, beside fuse/relay panel
- (81) - Ground connection -1-, in instrument panel wiring harness
- (135) - Ground connection -2-, in instrument panel wiring harness



ws = white  
 sw = black  
 ro = red  
 br = brown  
 gn = green  
 bl = blue  
 gr = grey  
 li = lilac  
 ge = yellow  
 or = orange

97-29090

- C - Generator
- F18 - Coolant Fan Control (FC) Thermal Switch
- J293 - Coolant FC (Fan Control) Control Module
- S42 - Coolant Fan Fuse
- S51 - Fuse
- T2p - Double Connector
- T2q - Double Connector, in engine compartment, left
- T6p - 6-Pin Connector
- T10b - 10-Pin Connector, black, on protective housing for control module, in engine compartment, left
- T14k - 14-Pin Connector, black
- T15k - 15-Pin Connector
- V7 - Coolant Fan
- V51 - After-Run Coolant Pump

- (30) - Ground connection -1-, beside fuse/relay panel
- (127) - Ground connection -1-, in A/C compressor wiring harness
- (151) - Ground connection -1-, in front wiring harness
- (500) - Threaded connection -1- (30) on the relay plate
- (A17) - wire connection (61), in instrument panel wiring harness
- (L10) - wire connection -2-, in A/C wiring harness
- (L11) - wire connection -3-, in A/C wiring harness