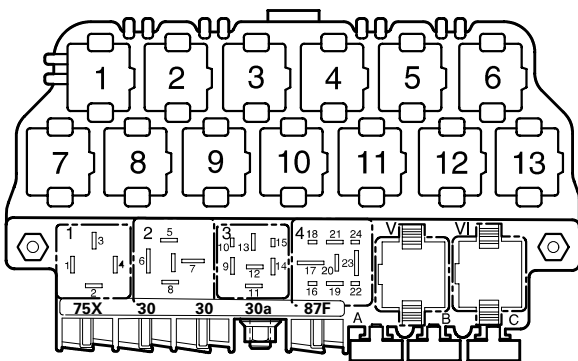


Comfort System, with Alarm System,

from September 1998

Deviate relay location and fuseplacements as well as the locations of multiple connectors see section "component locations".

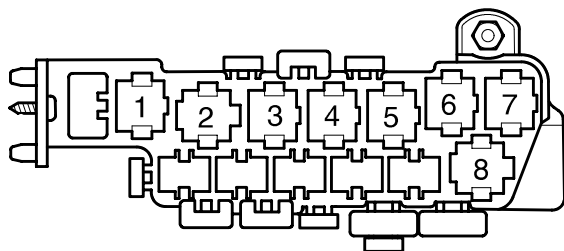


97-20676

Relay location on the thirteenfold auxiliary relay panel, above relay panel:

- 2** Relay for motor remote unlock rear lid (79)

Relay panel:



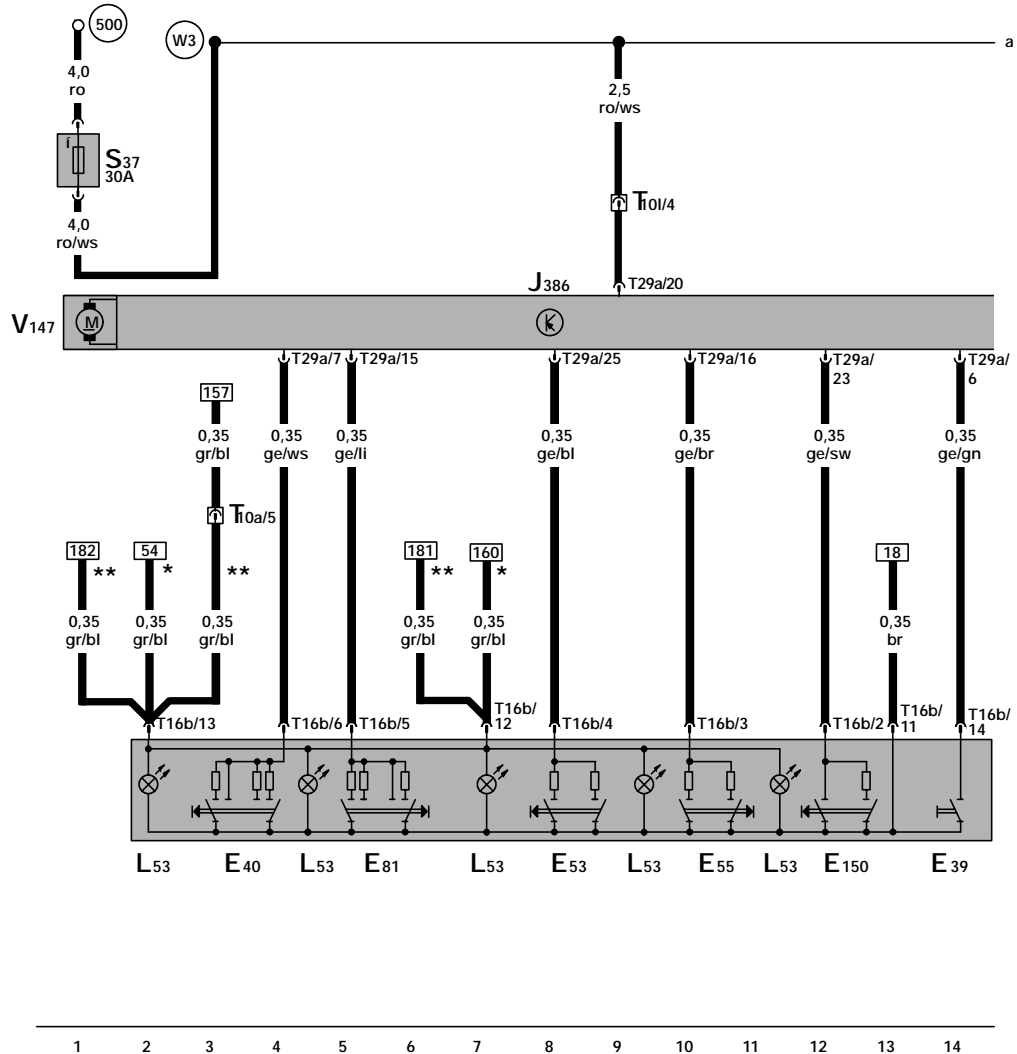
97-20515

Relay location on the eightfold auxiliary relay panel, behind relay panel:

Note: Number in parentheses indicates production control number stamped on relay housing.

Fuse colors

- 30 A - green
- 25 A - white
- 20 A - yellow
- 15 A - blue
- 10 A - red
- 7,5 A - brown
- 5 A - beige

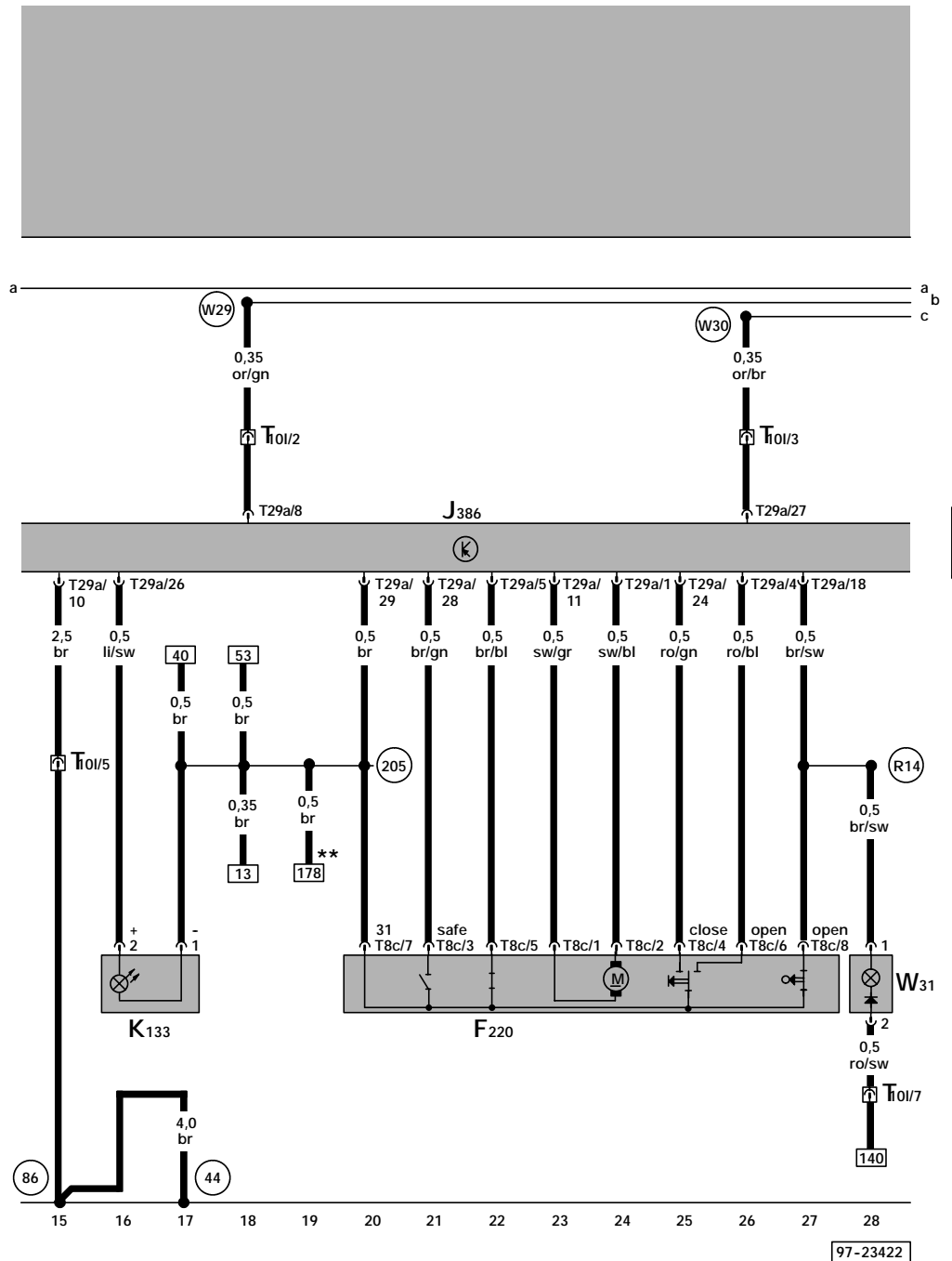


ws = white
 sw = black
 ro = red
 br = brown
 gn = green
 bl = blue
 gr = grey
 li = violet
 ge = yellow

- E39 - Safety switch for window regulator rear
- E40 - Switch for window regulator front left
- E53 - Switch for window regulator rear left, driver
- E55 - Switch for window regulator rear right, driver
- E81 - Switch for window regulator front right, driver
- E150 - Switch for interior lock, driver side
- J386 - Door control module, driver side
- L53 - Power Window Switch Light
- S37 - Power window fuse
- T10a - 10-pin connector, grey, connector station A-pillar left
- T10I - 10-pin connector, black, connector station A-pillar left
- T16b - 16-pin connector
- T29a - 29-pin connector
- V147 - Motor for window regulator, driver side

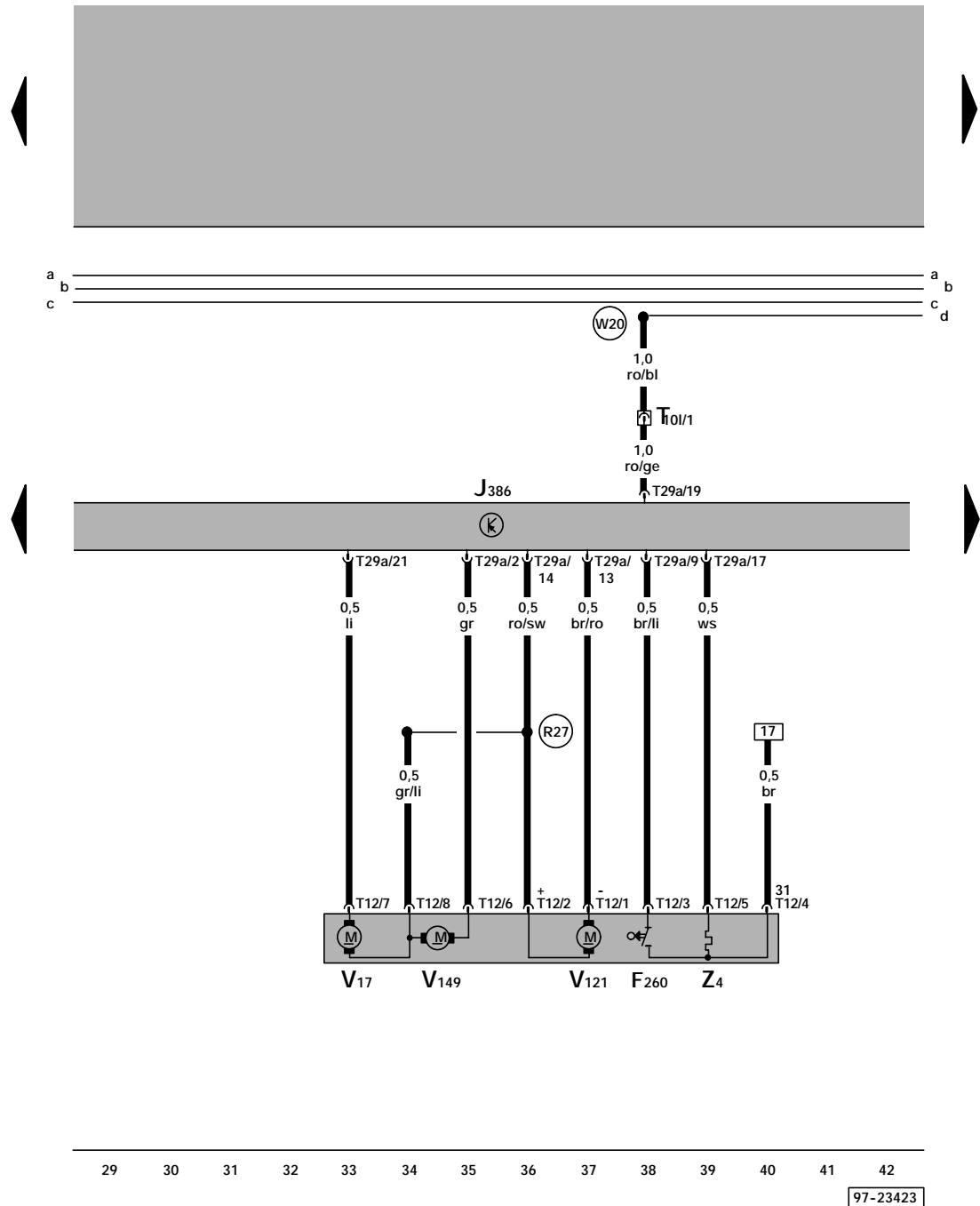
- (500) - Screw connection -1- (30), on relay panel
- (W3) - wire connection, in rear wiring harness

- * - only vehicles without switches for remote unlock rear lid and remote fuel tank door placed in driver's door
- ** - only vehicles with switches for remote unlock rear lid and remote fuel tank door placed in driver's door



- F220 - Lock unit for central locking, driver side, switches are shown with doors in closed position
- J386 - Door control module, driver side
- K133 - Warning light for central locking -SAFE-
- T8c - 8-Pin Connector, black
- T10I - 10-Pin Connector, black, connector station A-pillar, left
- T29a - 29-Pin Connector
- W31 - Entry light front, left
- (44) - Ground connection, on left A-pillar, lower part
- (86) - Ground connection -1-, in rear wiring harness
- (205) - Ground connection, in driver's door wiring harness

- (R14) - wire connection -1- (open), in driver's door wiring harness
- (W29) - Plus connector -2- (A-Bus), in wiring harness, floor
- (W30) - Plus connector -2- (B-Bus), in wiring harness, floor
- ** - only vehicles with switches for remote unlock rear lid and remote fuel tank door placed in driver's door

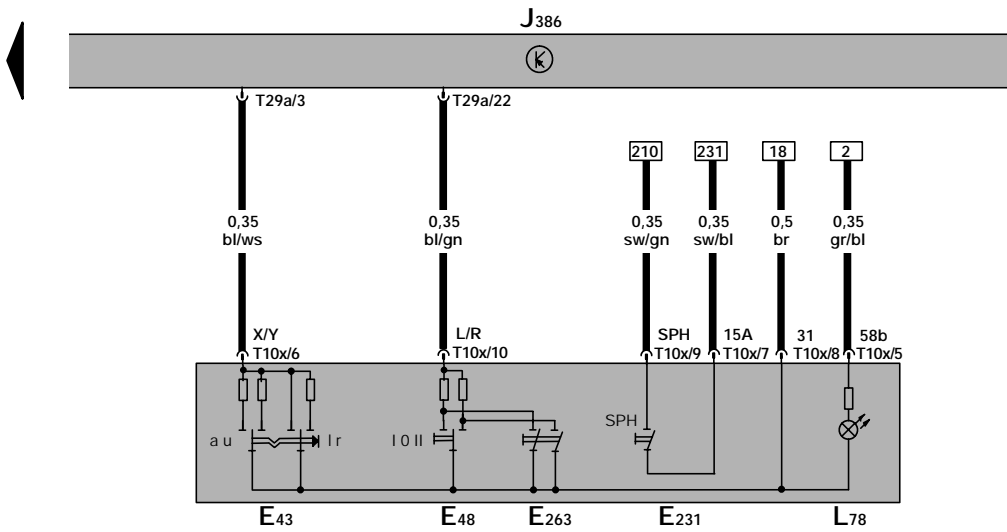
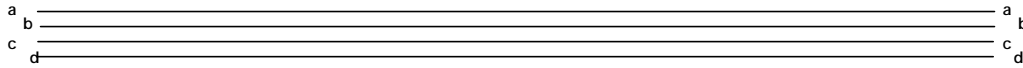


ws = white
 sw = black
 ro = red
 br = brown
 gn = green
 bl = blue
 gr = grey
 li = violet
 ge = yellow

29 30 31 32 33 34 35 36 37 38 39 40 41 42 97-23423

- F260 - Driver's Mirror Adjustment Contact Switch
- J386 - Door control module, driver side
- T10I - 10-Pin Connector, black, connector station A-pillar, left
- T12 - 12-Pin Connector
- T29a - 29-Pin Connector
- V17 - Driver's Side Mirror Adjustment Motor
- V121 - Motor for fold-in mirror, driver side
- V149 - Motor for mirror adjustment, driver side
- Z4 - Heated outside mirror, driver side

- R27 - wire connection (power mirror), in driver's door wiring harness
- W20 - Plus connector (30a), in wiring harness, rear

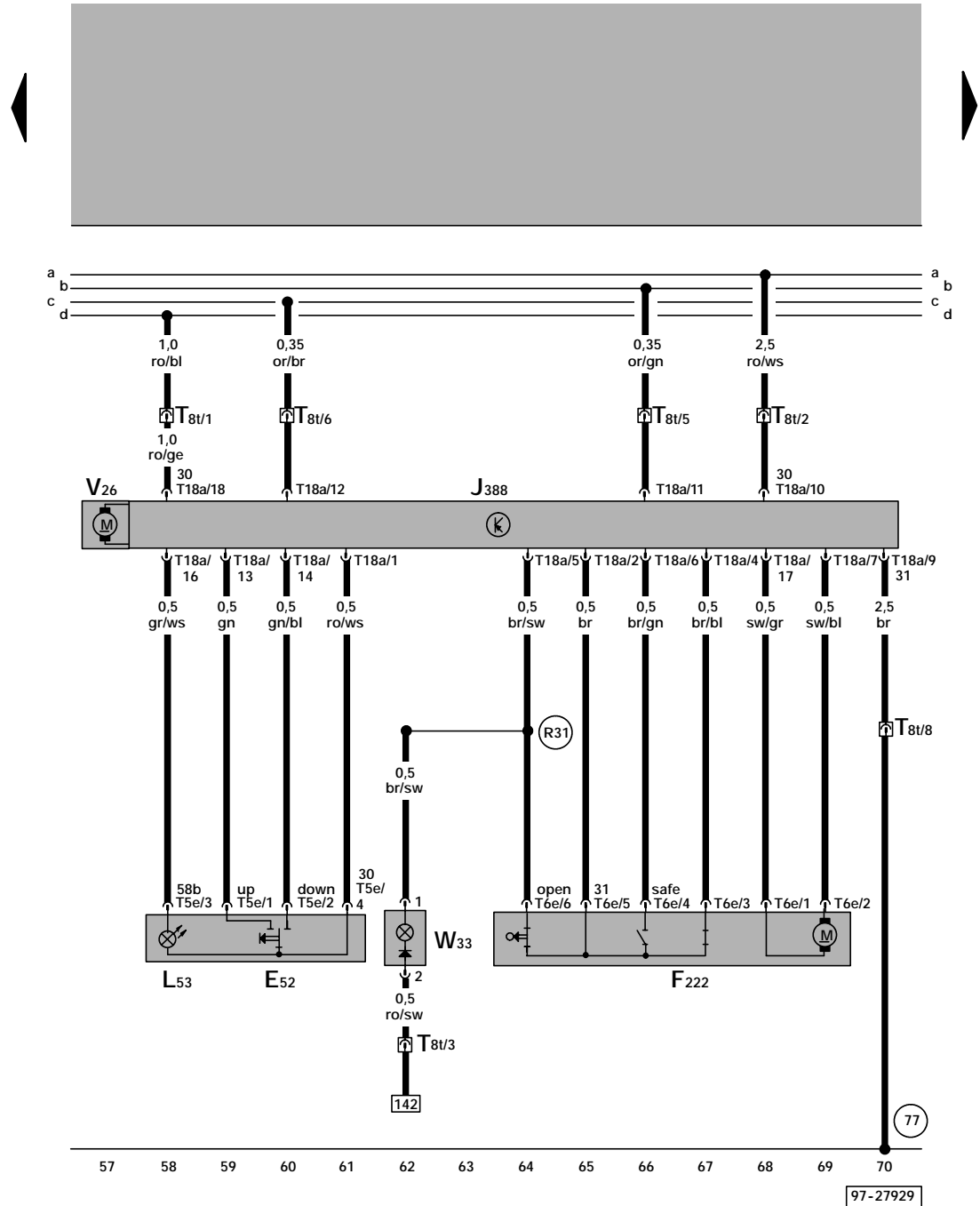


ws = white
 sw = black
 ro = red
 br = brown
 gn = green
 bl = blue
 gr = grey
 li = violet
 ge = yellow

43 44 45 46 47 48 49 50 51 52 53 54 55 56

97-23424

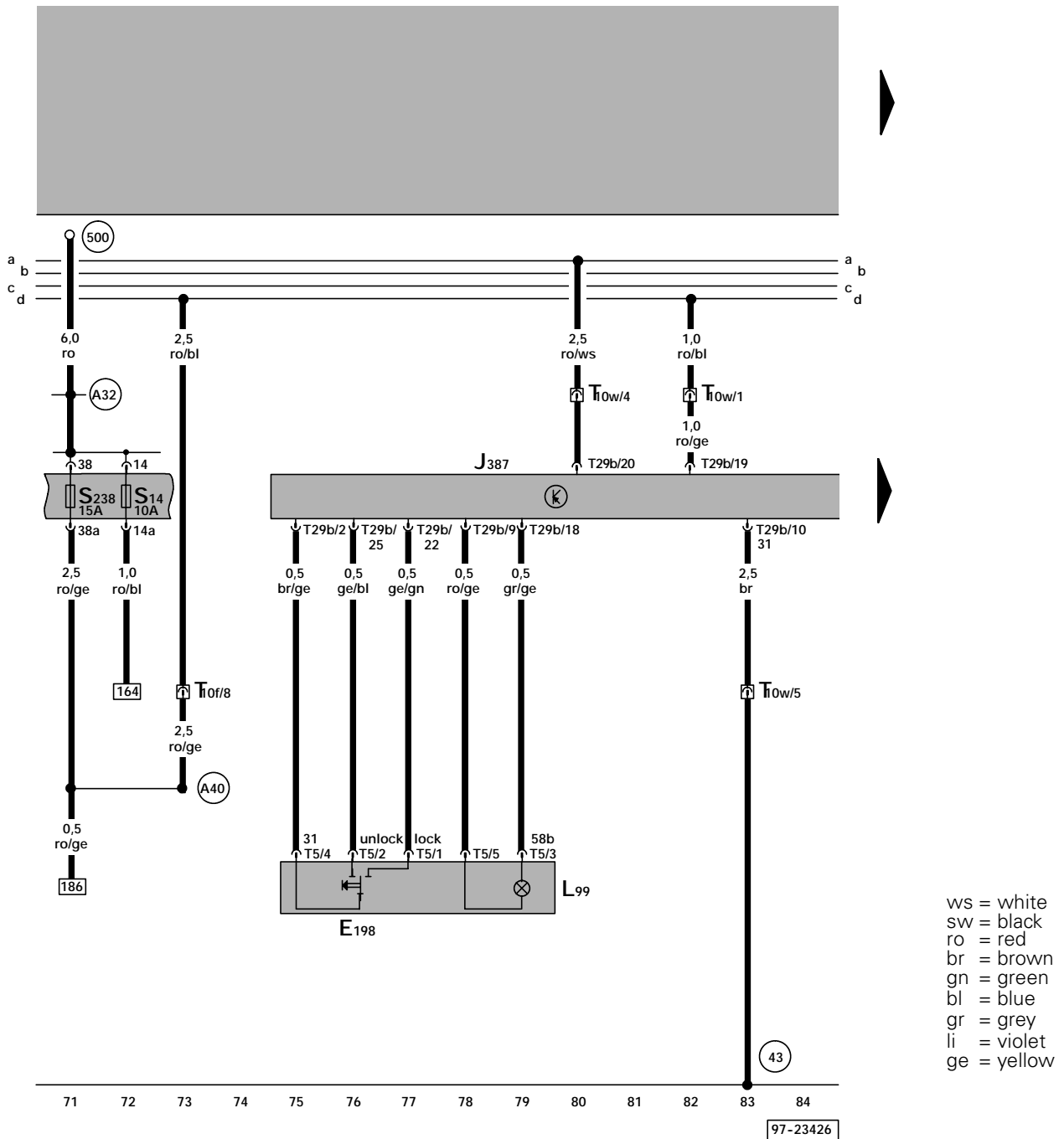
- E43 - Mirror Adjustment Switch
- E48 - Mirror Selector Switch
- E231 - Switch for outside mirror heating
- E263 - Mirror Folding Switch
- J386 - Door control module, driver side
- L78 - Mirror Adjusting Switch Light
- T10x - 10-Pin Connector
- T29a - 29-Pin Connector



ws = white
 sw = black
 ro = red
 br = brown
 gn = green
 bl = blue
 gr = grey
 li = violet
 ge = yellow

- E52 - Left Rear Window Switch, (In LR Door)
- F222 - Lock unit for central locking, rear, left, switches are shown with doors in closed position
- J388 - Door control module, rear, left
- L53 - Power Window Switch Light
- T5e - 5-Pin Connector
- T6e - 6-Pin Connector, brown
- T8t - 8-Pin Connector, black, connector station B-pillar, left
- T18a - 18-Pin Connector
- V26 - Motor for window regulator, rear, left
- W33 - Entry light rear, left

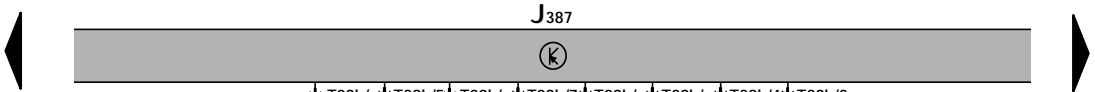
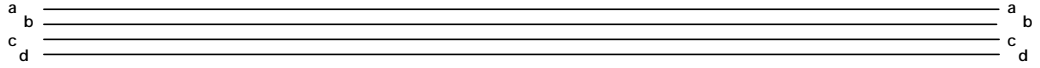
- (77) - Ground connection, (lower left B-pillar)
- (R31) - Wire connection -1-, in left rear door wiring harness



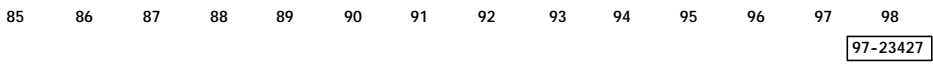
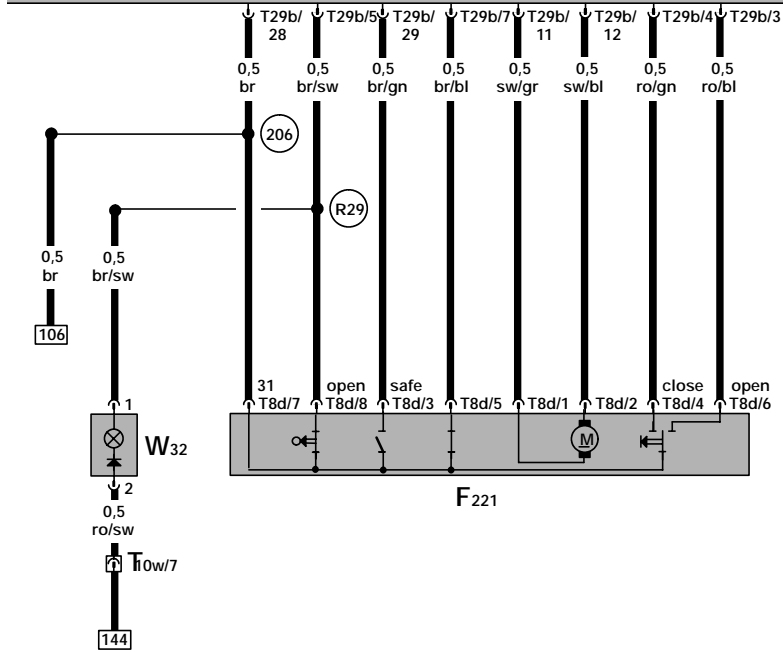
- E198 - Switch for interior lock, passenger side
- J387 - Door control module, passenger side
- L99 - Lighting for switch interior lock
- S14 - Fuse 14 in fuse holder
- S238 - Fuse 38 in fuse holder
- T5 - 5-Pin Connector
- T10f - 10-Pin Connector, blue, connector station A-pillar, left
- T10w- 10-Pin Connector, black, connector station A-pillar, right
- T29b - 29-Pin Connector

- (43) - Ground connection, on right A-pillar, lower part
- (500) - Screw connection -1- (30), on relay panel

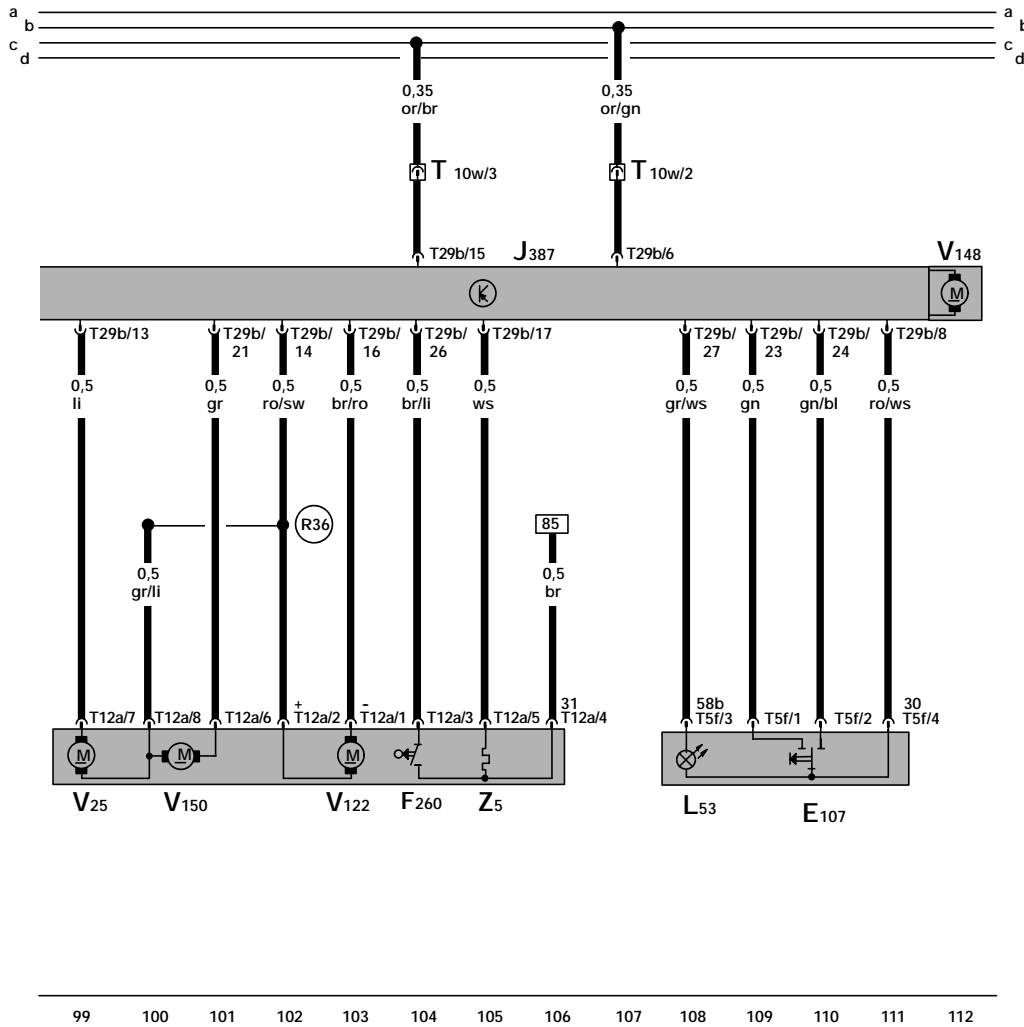
- (A32) - plus connection (30), in instrument panel wiring harness
- (A40) - plus connection -1- (30), in instrument panel wiring harness



- ws = white
- sw = black
- ro = red
- br = brown
- gn = green
- bl = blue
- gr = grey
- li = violet
- ge = yellow



- F221 - Lock unit for central locking, passenger side, switches are shown with doors in closed position
- J387 - Door control module, passenger side
- T8d - 8-Pin Connector, black
- T10w- 10-Pin Connector, black, connector station A-pillar, right
- T29b - 29-Pin Connector
- W32 - Entry light front, right
- (206) - Ground connection, in passenger's door wiring harness
- (R29) - Wire connection -1- (open), in passenger's door wiring harness

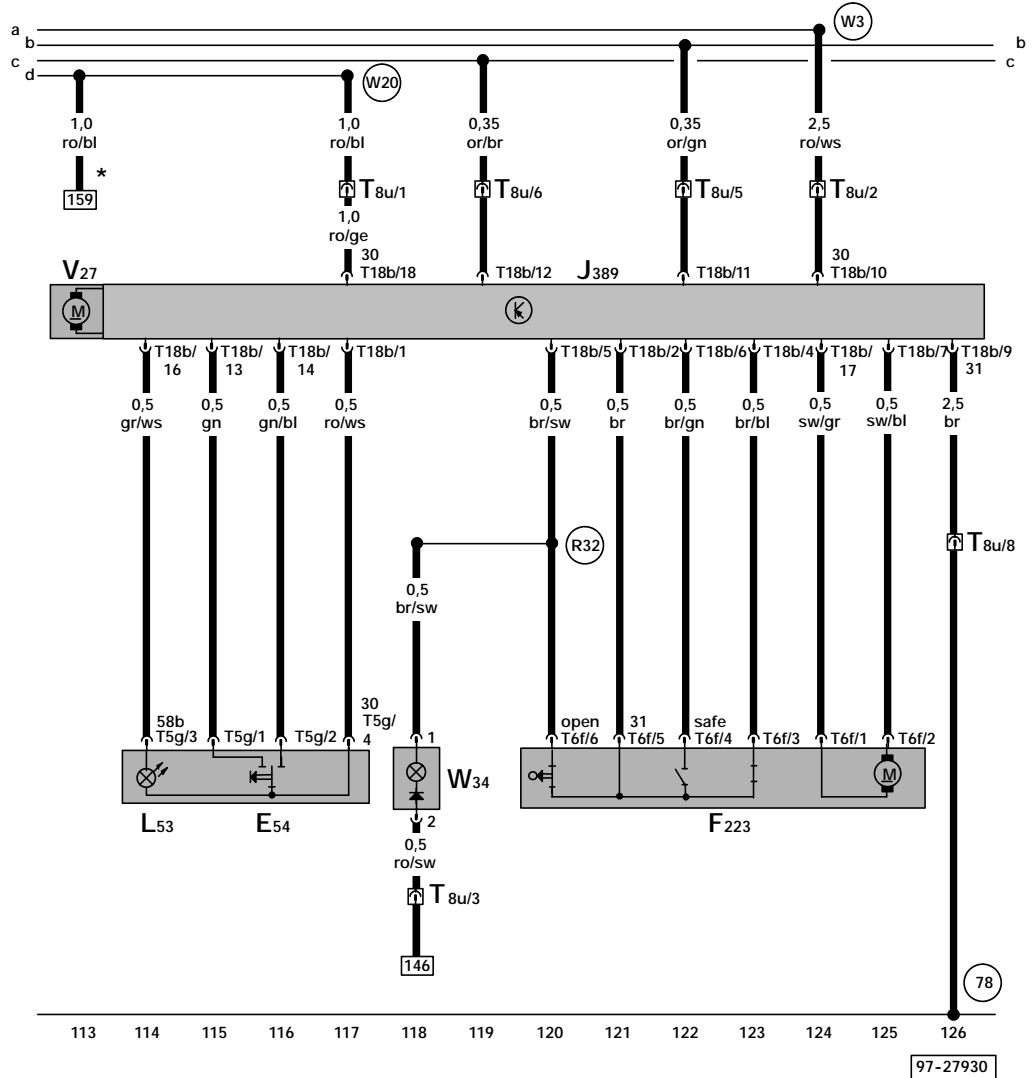


ws = white
 sw = black
 ro = red
 br = brown
 gn = green
 bl = blue
 gr = grey
 li = violet
 ge = yellow

97-23428

- E107 - Switch for window regulator, in passenger door
- F261 - Passenger's Mirror Tilt Contact Switch
- J387 - Door control module, passenger side
- L53 - Power Window Switch Light
- T5f - 5-Pin Connector
- T10w- 10-Pin Connector, black, connector station A-pillar, right
- T12a - 12-Pin Connector, black
- T29b - 29-Pin Connector
- V25 - Passenger's Side Mirror Adjustment Motor
- V122 - Motor for fold-in mirror, passenger side
- V148 - Motor for window regulator, passenger side
- V150 - Motor for mirror adjustment, passenger side
- Z5 - Heated outside mirror, passenger side

(R36) - wire connection (power mirror), in passenger's door wiring harness



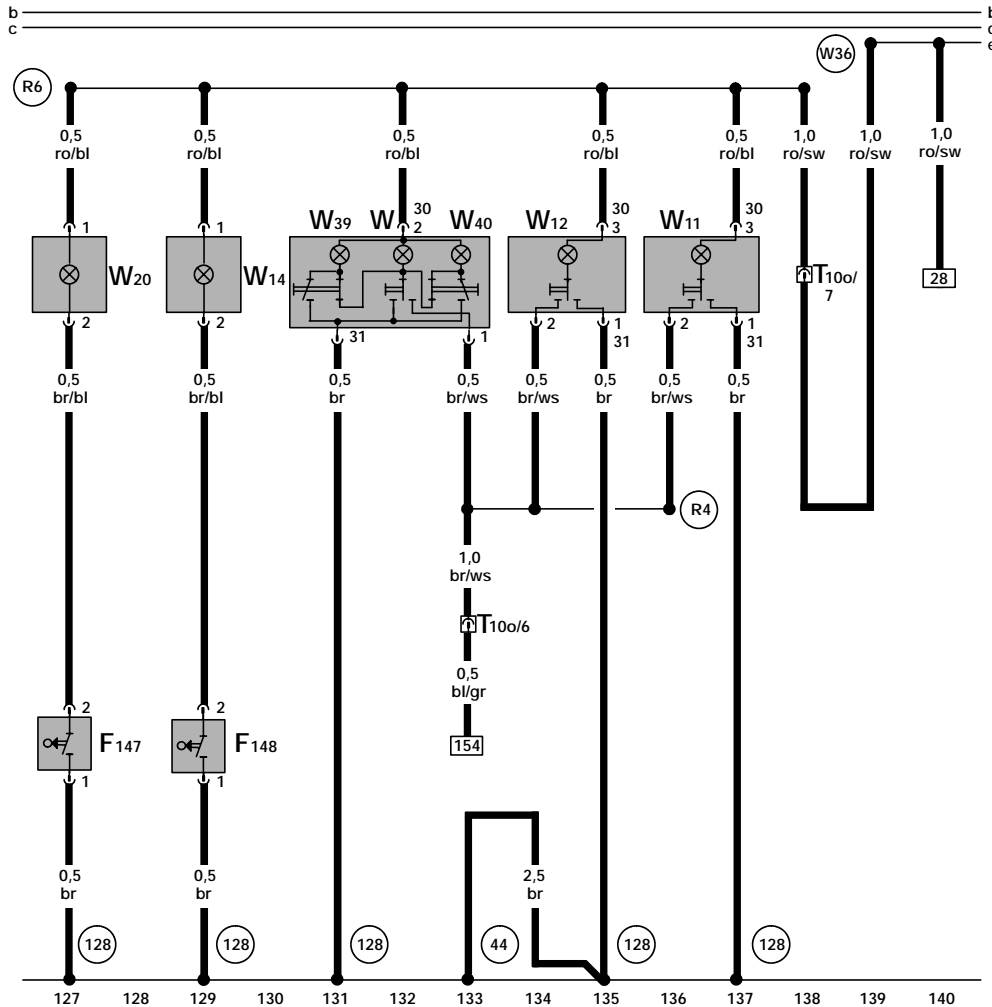
ws = white
 sw = black
 ro = red
 br = brown
 gn = green
 bl = blue
 gr = grey
 li = violet
 ge = yellow

- E54 - Right Rear Window Switch, (In RR Door), switches are shown with doors in closed position
- F223 - Lock unit for central locking, rear, right
- J389 - Door control module, rear, right
- L53 - Power Window Switch Light
- T5g - 5-Pin Connector
- T6f - 6-Pin Connector
- T8u - 8-Pin Connector, brown, connector station B-pillar, right
- T18b - 18-Pin Connector
- V27 - Motor for window regulator, rear, right
- W34 - Entry light rear, right

- (R32) - Wire connection -2-, in right rear door wiring harness
- (W3) - wire connection, in rear wiring harness
- (W20) - Plus connector (30a), in wiring harness, rear

* - only vehicles with switches for remote unlock rear lid and remote fuel tank door placed in driver's door

- (78) - Ground connection, (lower right B-pillar)

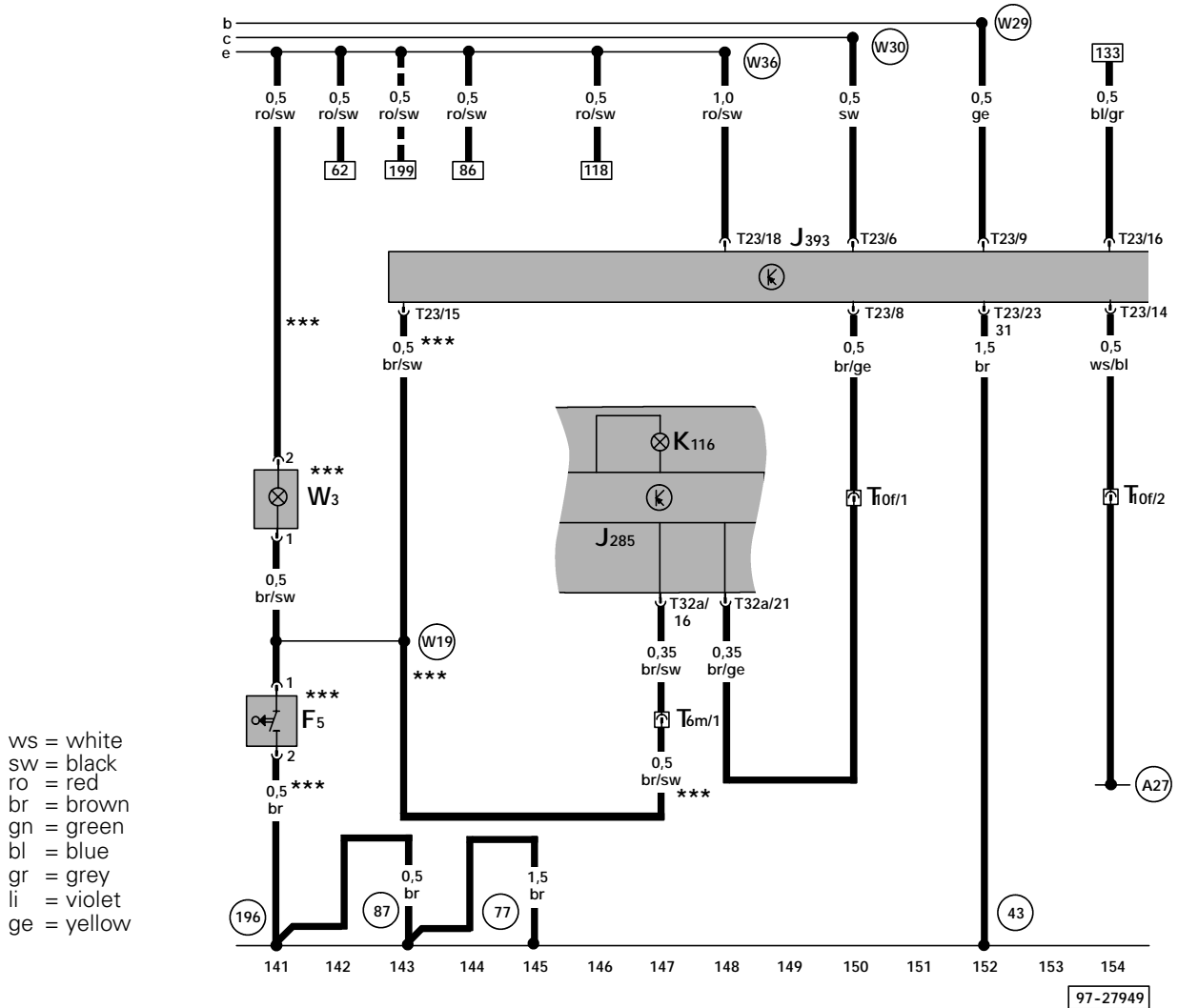


ws = white
 sw = black
 ro = red
 br = brown
 gn = green
 bl = blue
 gr = grey
 li = violet
 ge = yellow

- F147 - Left Make-Up Mirror Light Switch
- F148 - Right Make-Up Mirror Light Switch
- T100 - 10-Pin Connector, red, connector station A-pillar, left
- W - Front Interior Light
- W11 - Left Rear Reading Light
- W12 - Right Rear Reading Light
- W14 - Right Make-up Mirror Light
- W20 - Left Make-up Mirror Light
- W39 - Reading light, center left
- W40 - Reading light, center right

- (R4) - wire connection -1-, in interior light/door contact switch wiring harness
- (R6) - plus connection -1-, in interior light wiring harness
- (W36) - Plus connector (30a), in wiring harness floor

- (44) - Ground connection, on left A-pillar, lower part
- (128) - Ground connection -1-, in interior light wiring harness



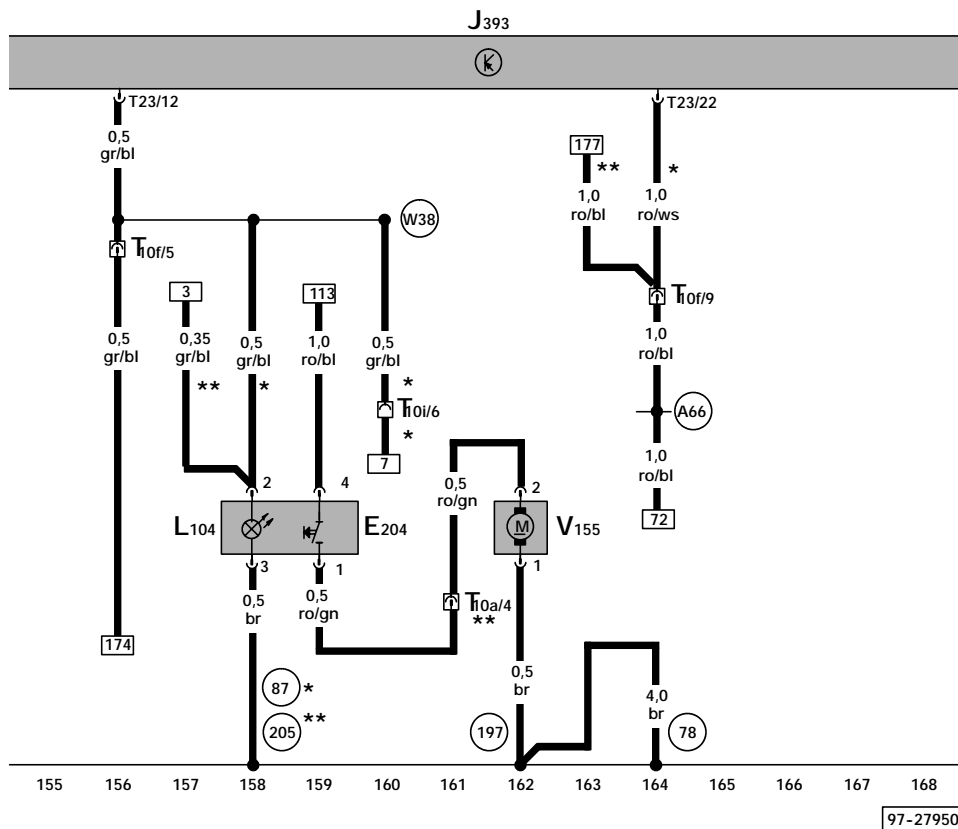
ws = white
 sw = black
 ro = red
 br = brown
 gn = green
 bl = blue
 gr = grey
 li = violet
 ge = yellow

- F5 - Luggage Compartment Light Switch
- J285 - Control module with indicator unit in instrument panel insert
- J393 - Central control module for comfort system
- K116 - Warning light for rear lid unlocked
- T6m - 6-Pin Connector, black, connector station A-pillar, right
- T10f - 10-Pin Connector, blue, connector station A-pillar, left
- T23 - 23-Pin Connector
- T32a - 32-Pin Connector, blue, on instrument cluster
- W3 - Luggage compartment Light

- (43) - Ground connection, on right A-pillar, lower part
- (77) - Ground connection, (lower left B-pillar)

- (87) - Ground connection -2-, in rear wiring harness
- (196) - Ground connection -3-, in wiring harness, rear
- (A27) - Wire Connection (vehicle speed signal), in instrument panel wiring harness
- (W19) - Connection -2- (luggage compartment light), in rear wiring harness
- (W29) - Plus connector -2- (A-Bus), in wiring harness, floor
- (W30) - Plus connector -2- (B-Bus), in wiring harness, floor
- (W36) - Plus connector (30a), in wiring harness floor

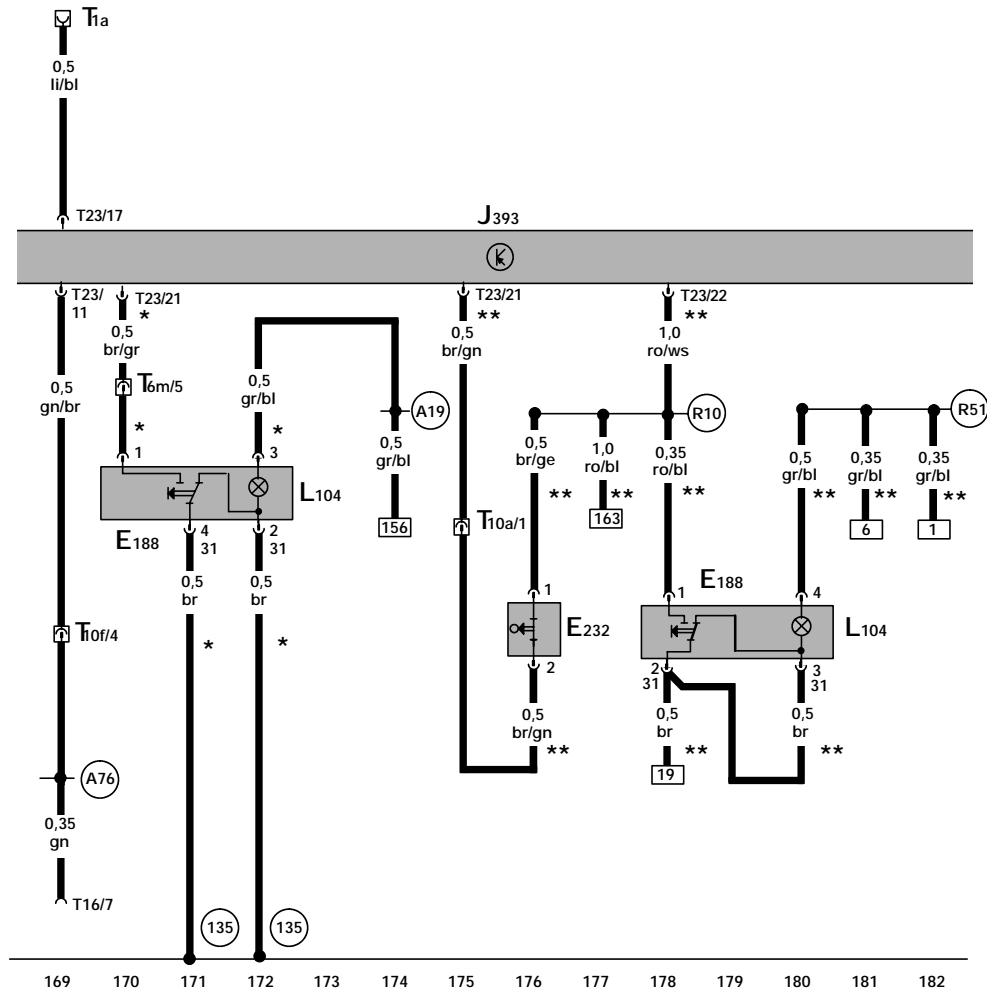
*** - sedan only



ws = white
 sw = black
 ro = red
 br = brown
 gn = green
 bl = blue
 gr = grey
 li = violet
 ge = yellow

- E204 - Switch for remote/fuel tank door
- J393 - Central control module for comfort system
- L104 - Illumination for switch remote unlock
- T10a - 10-Pin Connector, grey, connector station A-pillar, left, from November 1998
- T10f - 10-Pin Connector, blue, connector station A-pillar, left
- T10i - 10-Pin Connector, black, connector station driver's door
- T23 - 23-Pin Connector
- V155 - Motor for fuel tank lid unlock
- (87) - Ground connection -2-, in rear wiring harness
- (197) - Ground connection -4-, in wiring harness rear
- (205) - Ground connection, in driver's door wiring harness rear
- (78) - Ground connection, (lower right B-pillar)

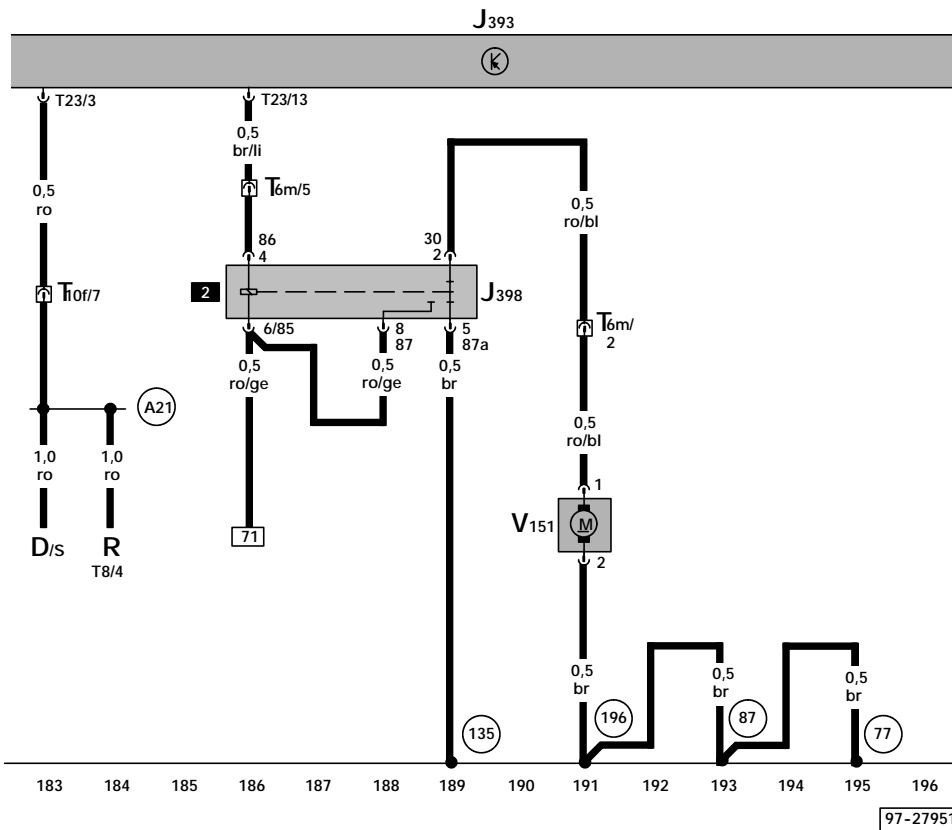
- (197) - Ground connection -4-, in wiring harness rear
- (205) - Ground connection, in driver's door wiring harness rear
- (A66) - Connector (30a, central locking/anti-theft warning system/IR), in instrument panel wiring harness
- (W38) - Connector (58d), in wiring harness floor
- * - only vehicles without switches for remote unlock rear lid and remote fuel tank door placed in driver's door
- ** - only vehicles with switches for remote unlock rear lid and remote fuel tank door placed in driver's door



ws = white
 sw = black
 ro = red
 br = brown
 gn = green
 bl = blue
 gr = grey
 li = violet
 ge = yellow

97-27928

- E188 - Switch for remote unlock, rear lid
- E232 - Rear lid Remote Lock Key Switch
- J393 - Central control module for comfort system
- L104 - Illumination for switch remote unlock
- T1a - Single Connector
- T6m - 6-Pin Connector, black, connector station A-pillar, right
- T10a - 10-Pin Connector, grey, connector station A-pillar, left
- T16 - 16-Pin Connector, Data Link Connector (DLC), below instrument panel, left
- T23 - 23-Pin Connector
- (135) - Ground connection -2-, in instrument panel wiring harness
- (R51) - Connection (58b) (driver's side door wiring harness)
- (A19) - wire connection (58d), in instrument panel wiring harness
- (A76) - Connector (K-diagnosis wire), in instrument panel wiring harness
- (R10) - plus connection -1- (30), in driver's door wiring harness
- * - only vehicles without switches for remote unlock rear lid and remote fuel tank door placed in driver's door
- ** - only vehicles with switches for remote unlock rear lid and remote fuel tank door placed in driver's door

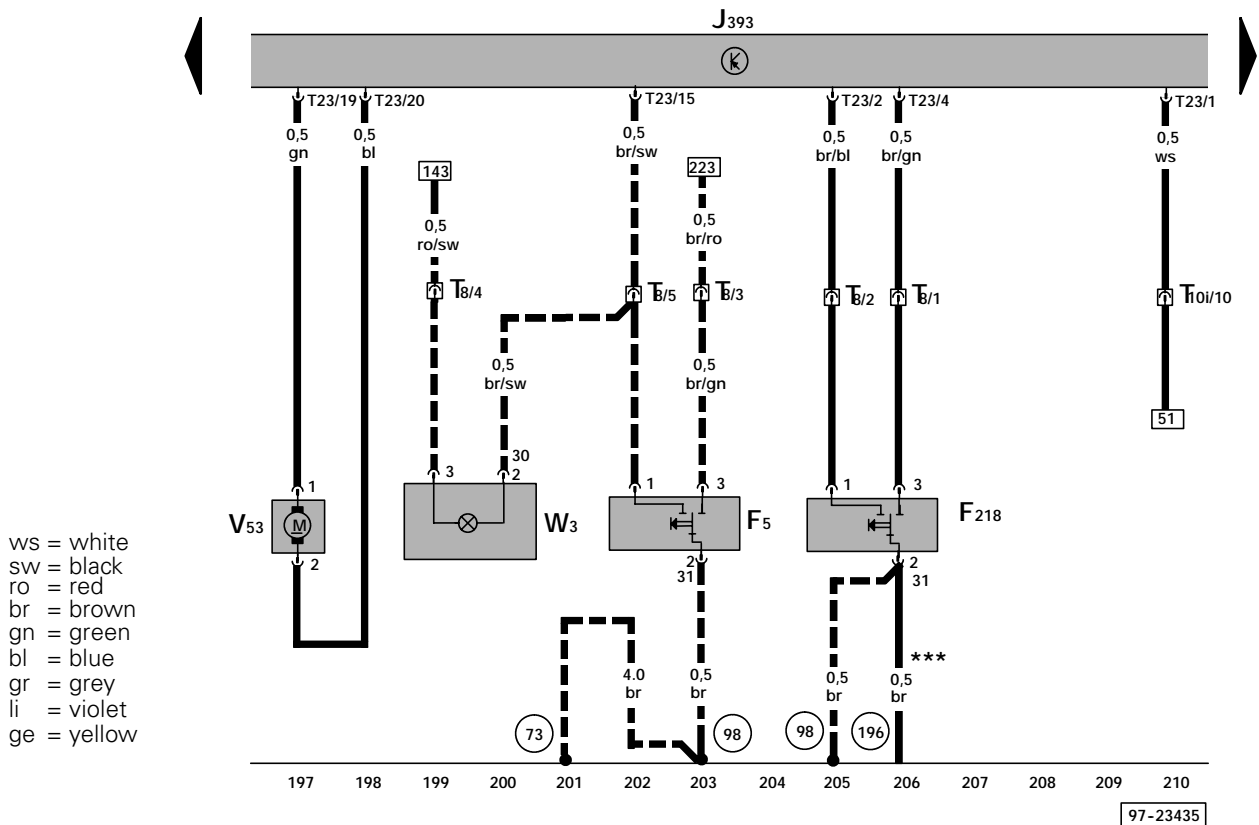


ws = white
 sw = black
 ro = red
 br = brown
 gn = green
 bl = blue
 gr = grey
 li = violet
 ge = yellow

- D - Ignition/Starter Switch
- J393 - Central control module for comfort system
- J398 - Relay for motor remote unlock rear lid, above relay panel, production control number (79)
- R - Radio
- T8 - 8-Pin Connector, on radio
- T6m - 6-Pin Connector, black, connector station A-pillar, right
- T10f - 10-Pin Connector, blue, connector station A-pillar, left
- T23 - 23-Pin Connector
- V151 - Motor for remote unlock rear lid

- Ⓚ135 - Ground connection -2-, in instrument panel wiring harness
- Ⓚ196 - Ground connection -3-, in wiring harness, rear
- ⓀA21 - wire connection (86s), in instrument panel wiring harness

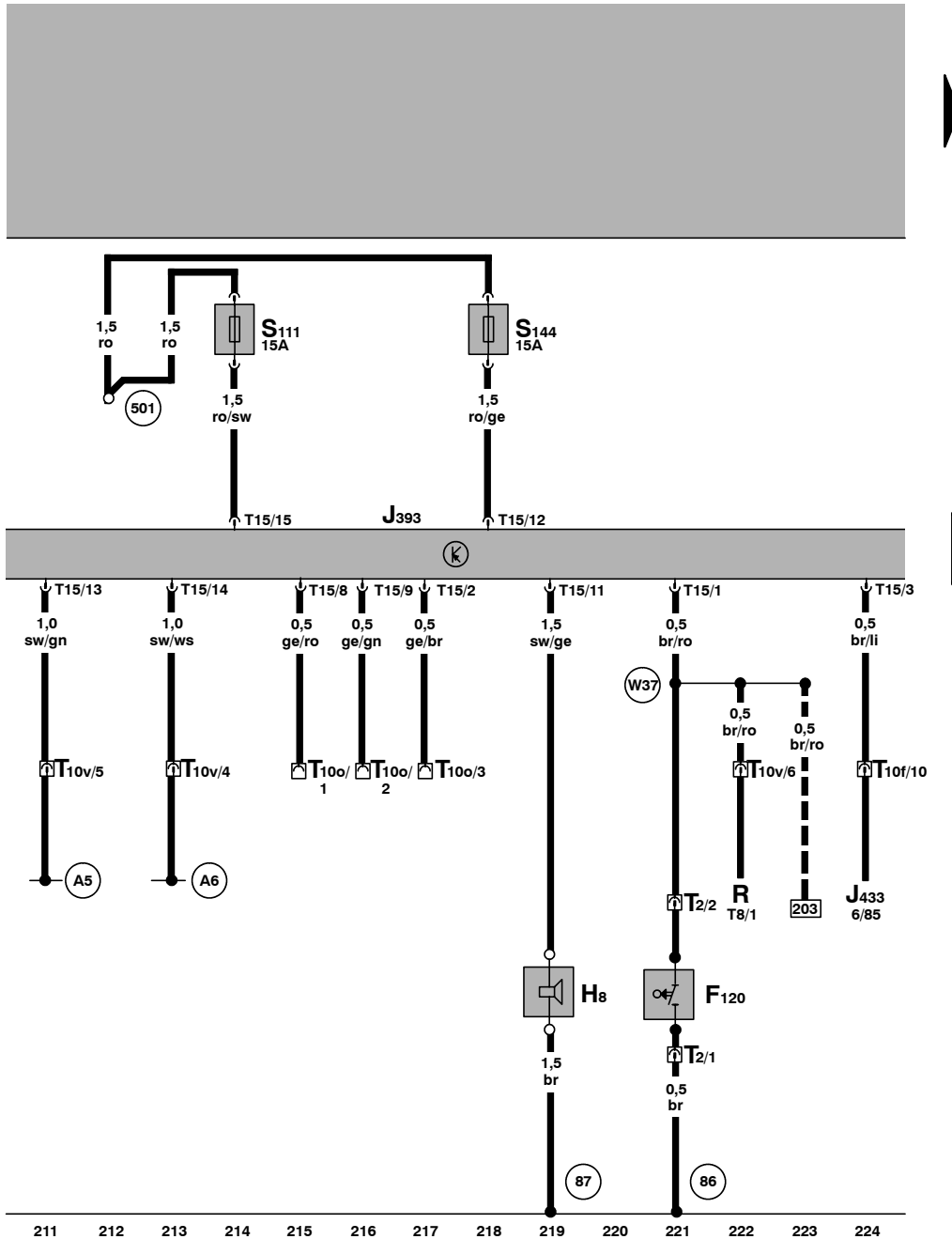
- Ⓚ77 - Ground connection, (lower left B-pillar)
- Ⓚ87 - Ground connection -2-, in rear wiring harness



- F5 - Luggage Compartment light switch (wagon only)
- F218 - Switch for central locking, trunk lid
- J393 - Central control module for comfort system
- T10i - 10-Pin Connector, black, connector station driver's door
- T8 - 8-Pin Connector, black, connector station D-pillar, right (wagon only)
- T23 - 23-Pin Connector
- V53 - Decklid Central Locking System Motor
- W3 - Luggage compartment light (wagon only)

- (73) - Ground connection, on roof bow, rear (wagon only)
- (98) - Ground connection, in rear lid wiring harness

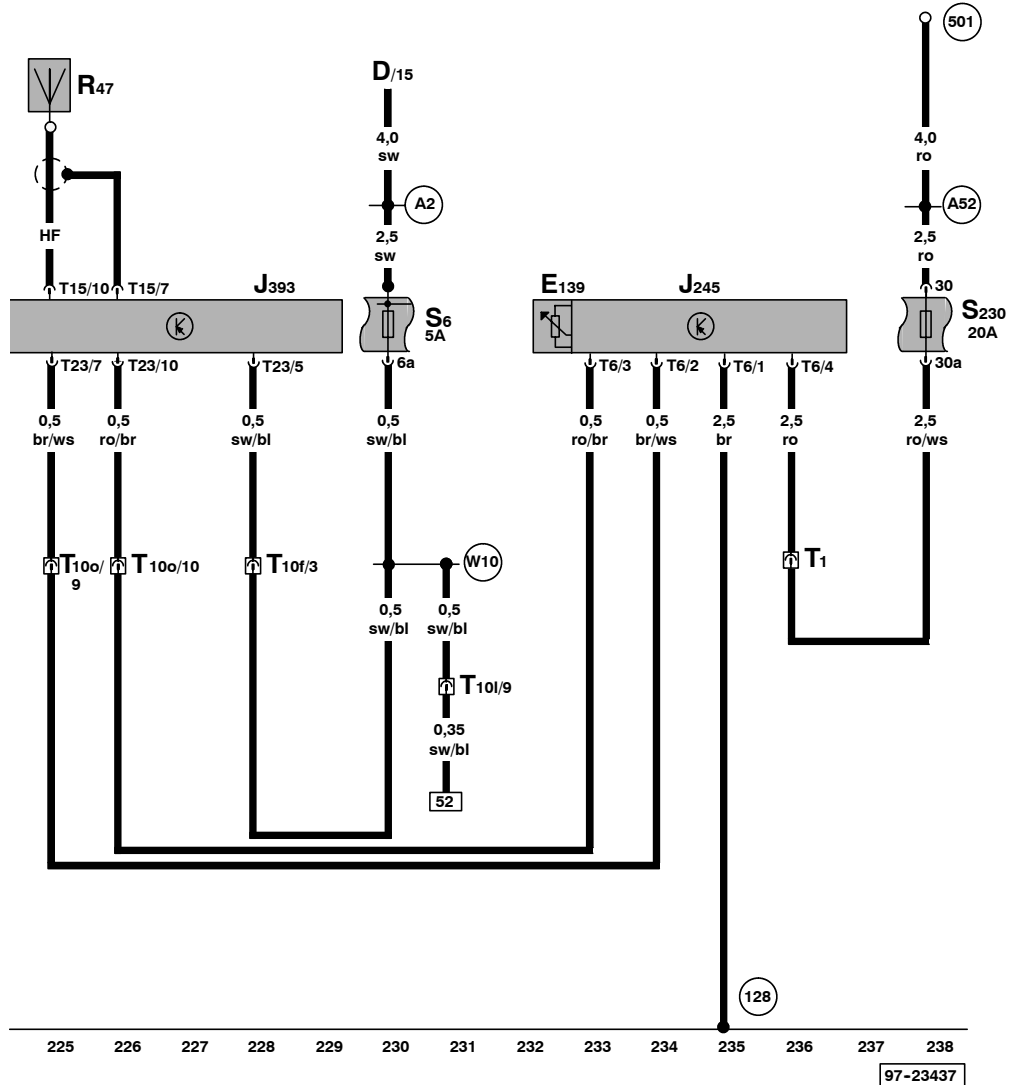
- (196) - Ground connection -3-, in wiring harness, rear
- *** - sedan only
- - - wagon only



ws = white
 sw = black
 ro = red
 br = brown
 gn = green
 bl = blue
 gr = grey
 li = violet
 ge = yellow

- F120 - Hood Alarm Switch
- H8 - Alarm Horn
- J393 - Central control module for comfort system
- J433 - Starting Interlock Relay (alarm system), above relay panel
- R - Radio
- S111 - Fuse -1- for Alarm System, on the eightfold auxiliary relay panel, behind relay panel
- S144 - Fuse -2- for Alarm System, on the eightfold auxiliary relay panel, behind relay panel
- T8 - Double Connector
- T8 - 8-Pin Connector, on radio
- T10f - 10-Pin Connector, blue, connector station A-pillar, left
- T10o - 10-Pin Connector, red, connector station A-pillar, left
- T10v - 10-Pin Connector, violet, connector station A-pillar, right

- T15 - 15-Pin Connector, on Central control module for comfort system
- 86 - Ground connection -1-, in rear wiring harness
- 87 - Ground connection -2-, in rear wiring harness
- 501 - Screw connection -2- (30), on relay panel
- A5 - plus connection (right turn signal), in instrument panel wiring harness
- A6 - plus connection (left turn signal), in instrument panel wiring harness
- W37 - Connector (alarm system), in wiring harness floor
- - - wagon only



ws = white
 sw = black
 ro = red
 br = brown
 gn = green
 bl = blue
 gr = grey
 li = violet
 ge = yellow

- D - Ignition/Starter Switch
- E139 - Sunroof Regulator
- J245 - Power Sunroof Control Module
- J393 - Central control module for comfort system
- R47 - Antenna wire for central locking and alarm system, on B-pillar right
- S6 - Fuse 6 in fuse holder
- S230 - Fuse 30 in fuse holder
- T1 - Single Connector, black
- T6 - 6-Pin Connector
- T10f - 10-Pin Connector, blue, connector station A-pillar, left
- T10l - 10-Pin Connector, black, connector station A-pillar, left
- T10o - 10-Pin Connector, red, connector station A-pillar, left

- T15 - 15-Pin Connector, on Central control module for comfort system
- T23 - 23-Pin Connector
- (128) - Ground connection -1-, in interior light wiring harness
- (501) - Screw connection -2- (30), on relay panel
- (A2) - plus connection (15), in instrument panel wiring harness
- (A52) - plus connection (30), in instrument panel wiring harness
- (W10) - plus connection (15), in rear wiring harness from October 1998