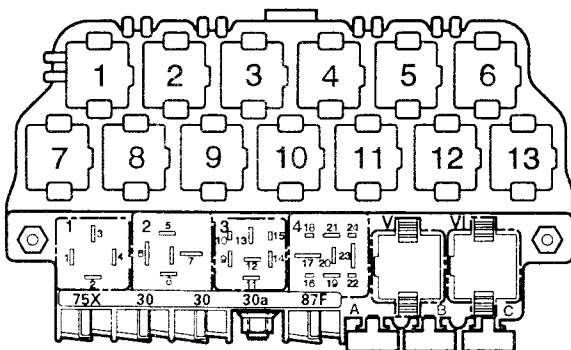


Automatic transmission, 5 speed automatic with tiptronic,

- 1,8L-Engine – Motronic Multiport Fuel Injection (MFI) / 110 kW, code AEB,

from September 1997

Deviate relay location and fuseplacements as well as the locations of multiple connectors see section "component locations".

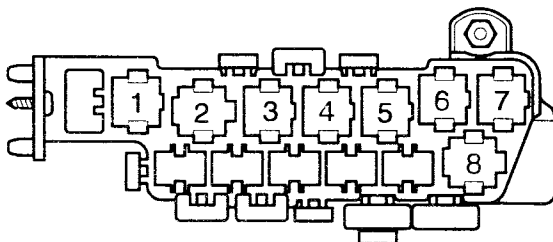


97-20676

Relay location on the thirteenfold auxiliary relay panel, above relay panel:

- 6** Selector Lever Light Relay (205)
- 12** Starting Interlock Relay (alarm system) (186)
- 13** Starting Interlock Relay (204)

Relay panel:



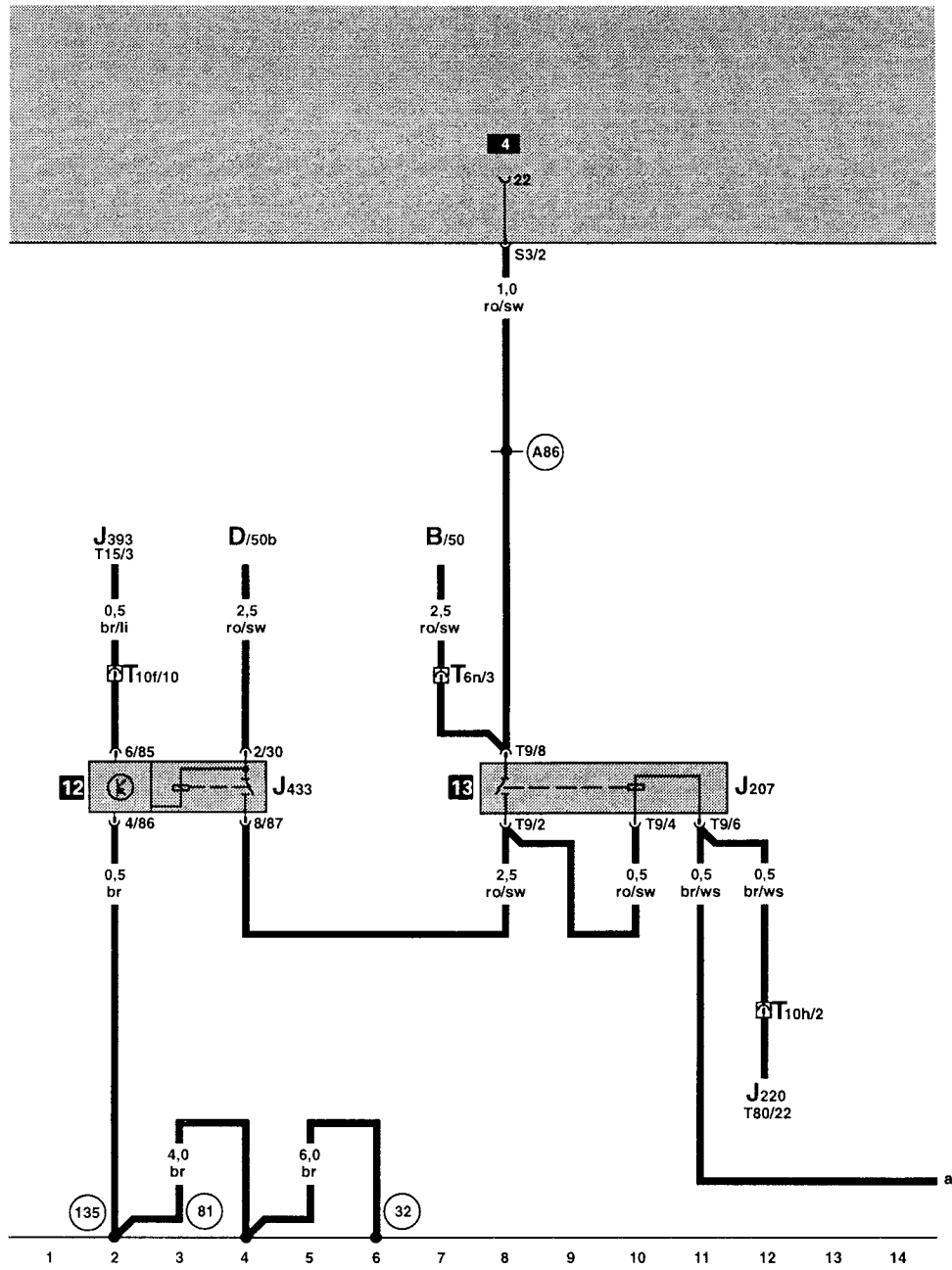
97-20515

Relay location on the eightfold auxiliary relay panel, behind relay panel:

Note: Number in parentheses indicates production control number stamped on relay housing.

Fuse colors

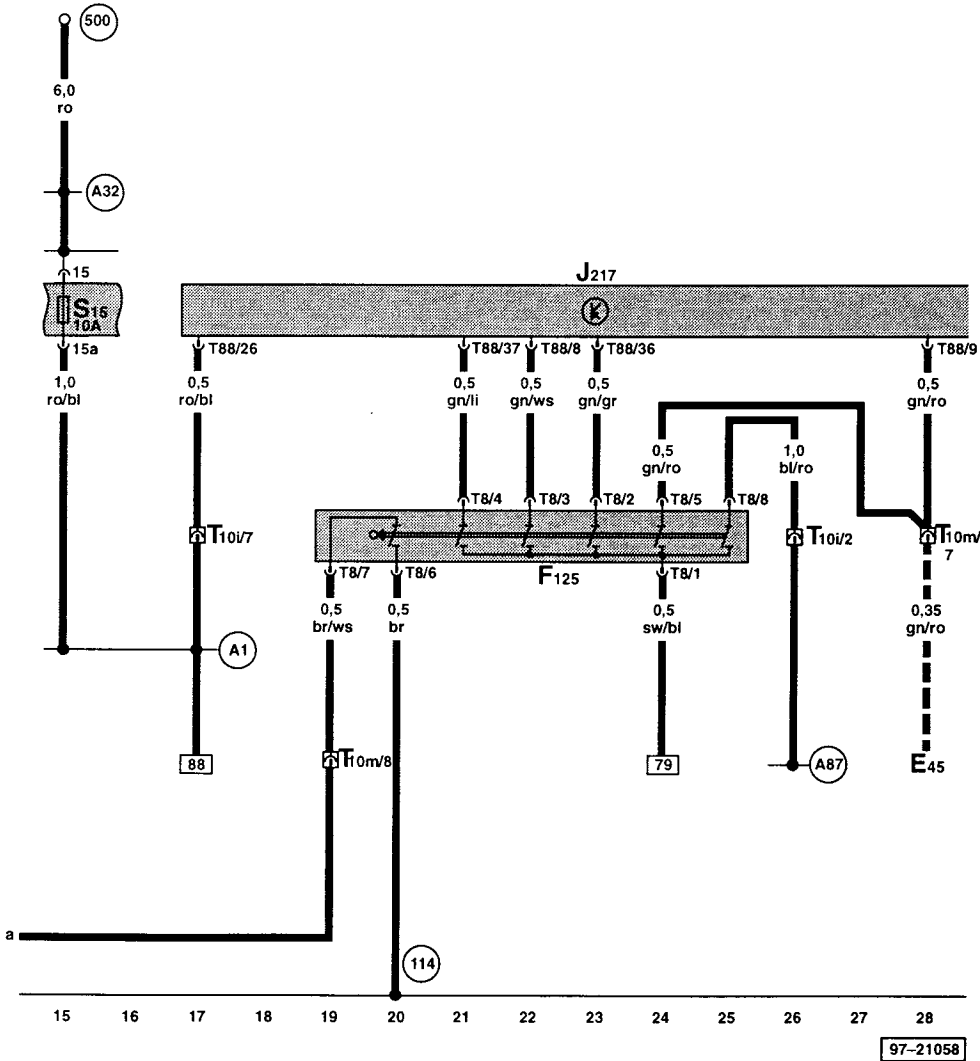
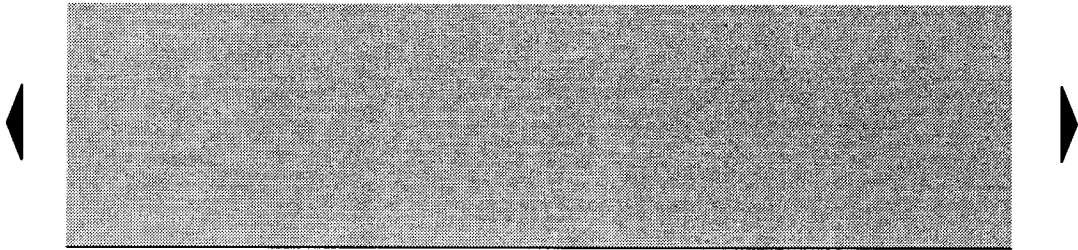
- 30 A – green
- 25 A – white
- 20 A – yellow
- 15 A – blue
- 10 A – red
- 7,5 A – brown
- 5 A – beige



ws = white
 sw = black
 ro = red
 br = brown
 gn = green
 bl = blue
 gr = grey
 li = violet
 ge = yellow

97-21057

- B - Starter
- D - Ignition/Starter Switch
- J207 - Starting Interlock Relay, on the thirteenfold auxiliary relay panel, above relay panel, production control number (204)
- J220 - Motronic Engine Control Module (ECM)
- J393 - Central control module for comfort system
- J433 - Starting Interlock Relay (alarm system), on the thirteenfold auxiliary relay panel, above relay panel, production control number (186)
- T6n - 6-Pin Connector, red, on protective housing for control module, in engine compartment, left
- T9 - 9-Pin Connector, on Starting Interlock Relay
- T10f - 10-Pin Connector, blue, connector station A-pillar, left
- T10h - 10-Pin Connector, blue, on protective housing for control module, in engine compartment, left
- T15 - 15-Pin Connector, on Central control module for comfort system
- T80 - Connector, 80 point, on Motronic Engine Control Module (ECM)
- (32) - Ground connection, behind instrument panel, left
- (81) - Ground connection -1-, in instrument panel wiring harness
- (135) - Ground connection -2-, in instrument panel wiring harness
- (A86) - Connection (50a), in instrument panel wiring harness

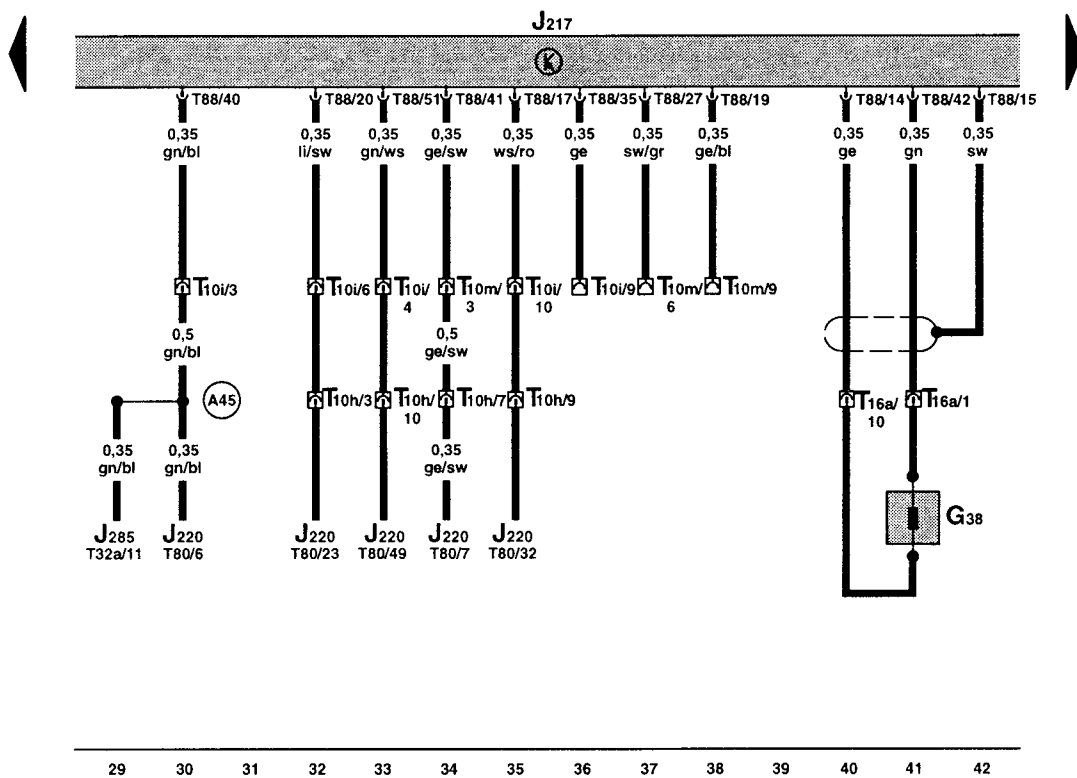
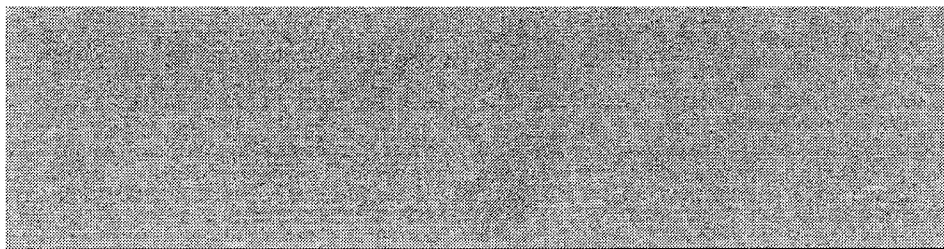


ws = white
 sw = black
 ro = red
 br = brown
 gn = green
 bl = blue
 gr = grey
 li = violet
 ge = yellow

- E45 - Cruise Control Switch
- F125 - Multi-Function Transmission Range (TR) Switch
- J217 - Transmission Control Module (TCM), in front footwell, right
- S15 - Fuse 15 in fuse holder
- T8 - 8-Pin Connector, black
- T10i - 10-Pin Connector, blue, connector station A-pillar, right
- T10m - 10-Pin Connector, brown, connector station A-pillar, right
- T88 - Connector 88-point, on Transmission Control Module (TCM)
- (114) - Ground connection, in automatic transmission wiring harness
- (500) - Screw Connection -1- (30), on relay panel

- (A1) - plus connection (30a), in instrument panel wiring harness
- (A32) - plus connection (30), in instrument panel wiring harness
- (A87) - Connector (reverse lamp), in instrument panel wiring harness
- vehicles with cruise control only

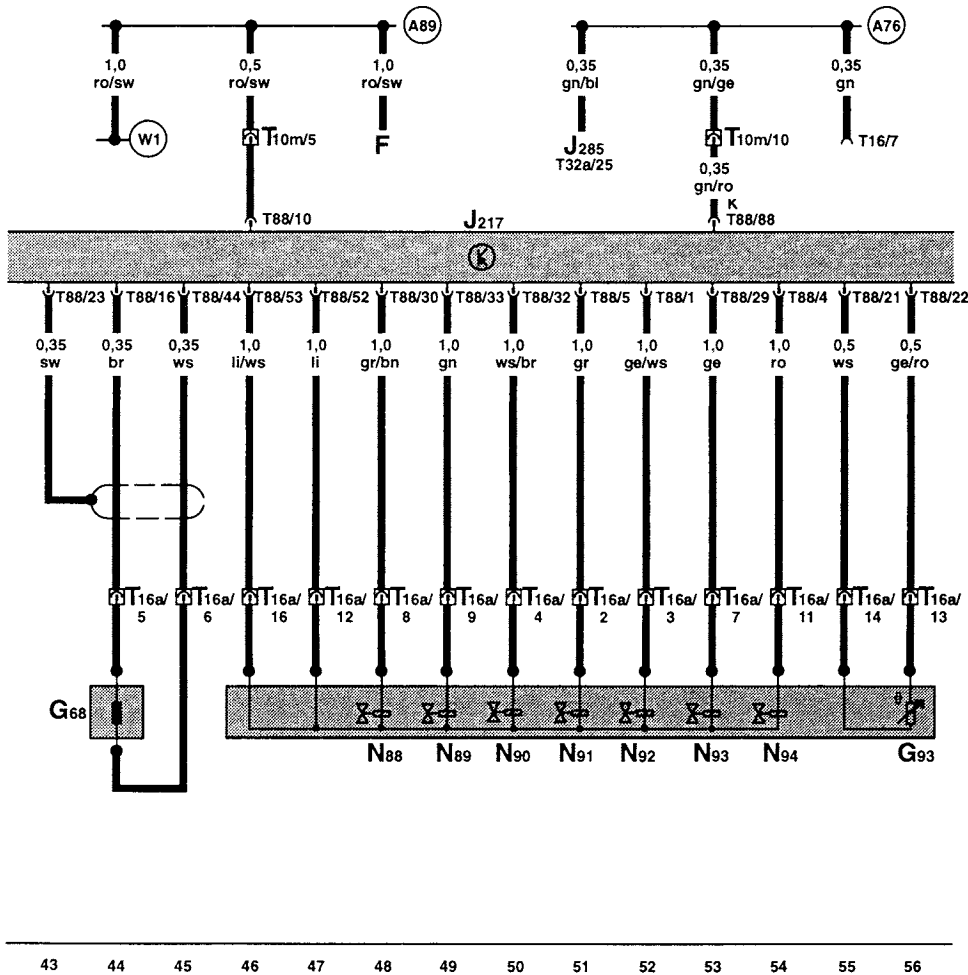
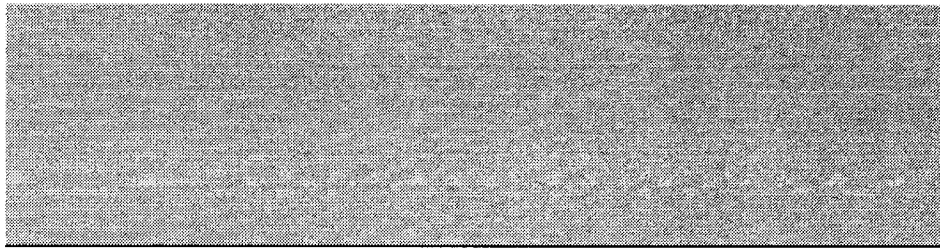
97-21058



ws = white
 sw = black
 ro = red
 br = brown
 gn = green
 bl = blue
 gr = grey
 li = violet
 ge = yellow

29 30 31 32 33 34 35 36 37 38 39 40 41 42
 97-21059

- G38 - Transmission Vehicle Speed Sensor (VSS)
- J217 - Transmission Control Module (TCM), in front footwell, right
- J220 - Motronic Engine Control Module (ECM)
- J285 - Control module with indicator unit in instrument panel insert
- T10i - 10-Pin Connector, blue, connector station A-pillar, right
- T10h - 10-Pin Connector, blue, on protective housing for control module, in engine compartment, left
- T10m - 10-Pin Connector, brown, connector station A-pillar, right
- T16a - 16-Pin Connector, on transmission
- T32a - 132-Pin Connector, blue, on instrument cluster
- T80 - Connector, 80 point, on Motronic Engine Control Module (ECM)
- T88 - Connector, 88 point, on Transmission Control Module (TCM)
- (A45) - wire connection (RPM-signal), in instrument panel wiring harness

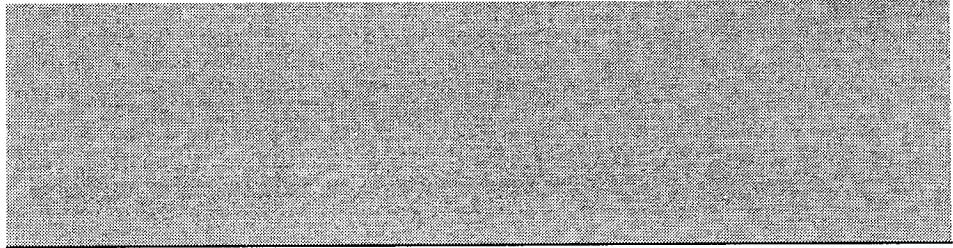


ws = white
 sw = black
 ro = red
 br = brown
 gn = green
 bl = blue
 gr = grey
 li = violet
 ge = yellow

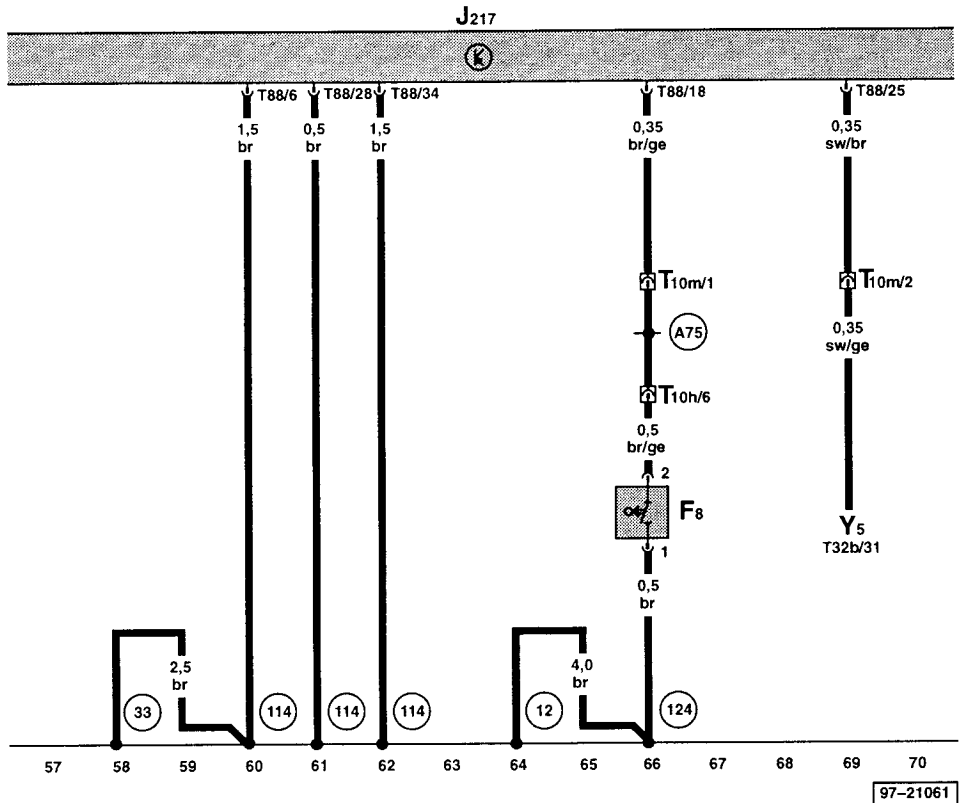
97-21060

- F - Brake Light Switch
- G68 - Vehicle Speed Sensor (VSS)
- G93 - Transmission Fluid Temperature Sensor
- J217 - Transmission Control Module (TCM), in front footwell, right
- J285 - Control module with indicator unit in instrument panel insert
- N88 - Solenoid Valve 1
- N89 - Solenoid Valve 2
- N90 - Solenoid Valve 3
- N91 - Solenoid Valve 4
- N92 - Solenoid Valve 5
- N93 - Solenoid Valve 6
- N94 - Solenoid Valve 7
- T10m - 10-Pin Connector, brown, connector station A-pillar, right

- T16 - 16-Pin Connector, On Board Diagnostic (OBD), below instrument panel, left
- T16a - 16-Pin Connector, on transmission
- T32a - 32-Pin Connector, blue, on instrument cluster
- T88 - Connector, 88 point, on Transmission Control Module (TCM)
- (A76) - Connector (K-diagnosis wire), in instrument panel wiring harness
- (A89) - Connector (54), in instrument panel wiring harness
- (W1) - plus connection (54), in rear wiring harness

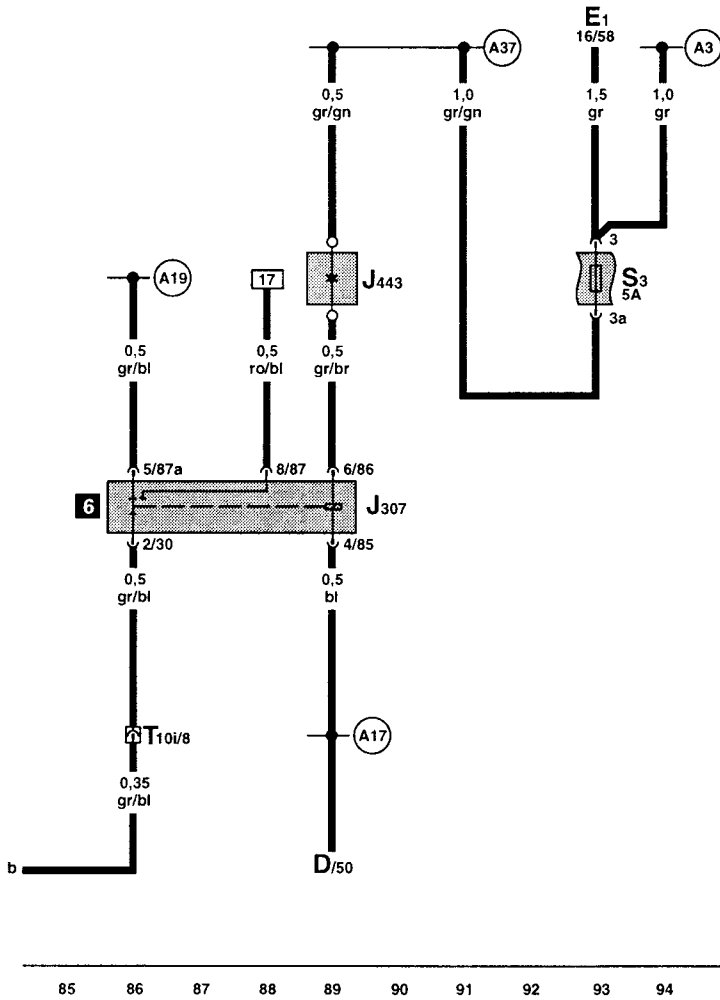
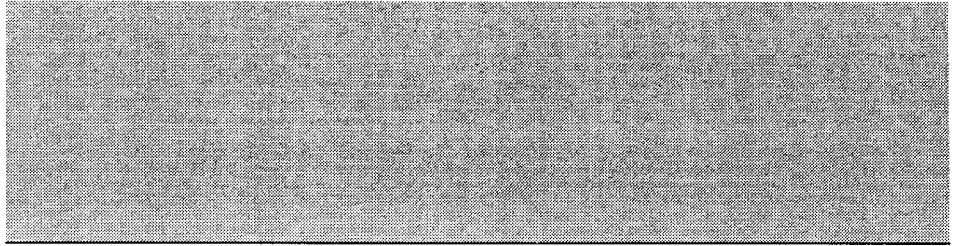


- ws = white
- sw = black
- ro = red
- br = brown
- gn = green
- bl = blue
- gr = grey
- li = violet
- ge = yellow



- F8 - Kick Down Switch
- J217 - Transmission Control Module (TCM), in front footwell, right
- T10h - 10-Pin Connector, blue, on protective housing for control module, in engine compartment, left
- T10m - 10-Pin Connector, brown, connector station A-pillar, right
- T32b - 32-Pin Connector, green, on instrument cluster
- T88 - Connector, 88 point, on Transmission Control Module (TCM)
- Y5 - Transmission Range (TR) Selector Lever Display
- (12) - Ground connection, in engine compartment, left
- (33) - Ground connection, behind instrument panel, right

- (114) - Ground connection, in automatic transmission wiring harness
- (124) - ground connection, in engine compartment right wiring harness
- (A75) - Connector (kick-down-switch) in instrument panel wiring harness



ws = white
 sw = black
 ro = red
 br = brown
 gn = green
 bl = blue
 gr = grey
 li = violet
 ge = yellow

97-21063

- D - Ignition/Starter Switch
- E1 - Light switch
- J307 - Selector Lever Light Relay, on the thirteenfold auxiliary relay panel, above relay panel, production control number (205)
- J443 - Selector Lever Light Diode
- S3 - Fuse 3 in fuse holder
- T10i - 10-Pin Connector, blue, connector station A-pillar, right
- (A3) - plus connection (58), in instrument panel wiring harness
- (A17) - wire connection (61), in instrument panel wiring harness
- (A19) - wire connection (58d), in instrument panel wiring harness
- (A37) - wire connection (58a), in instrument panel wiring harness